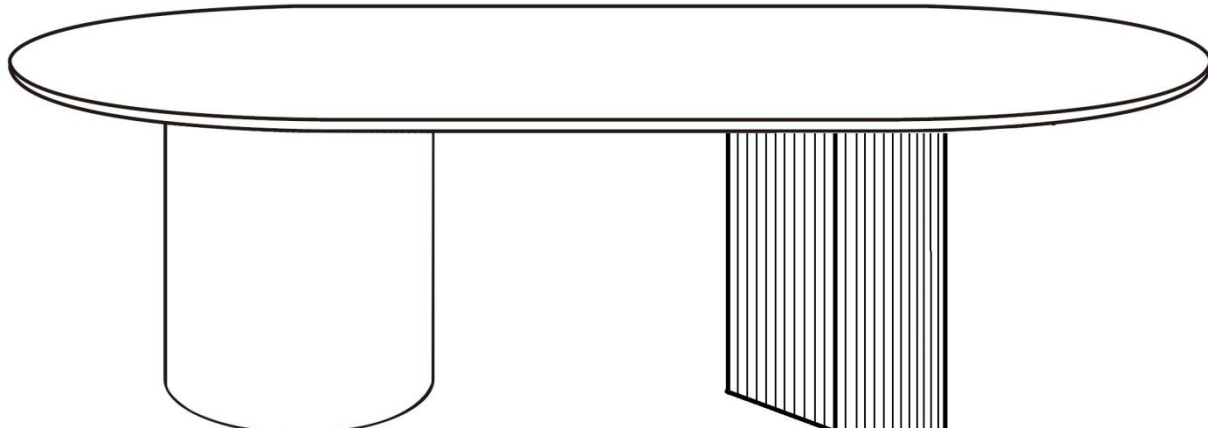







Assembly Instructions

BRUNELLA OVAL DINING TABLE

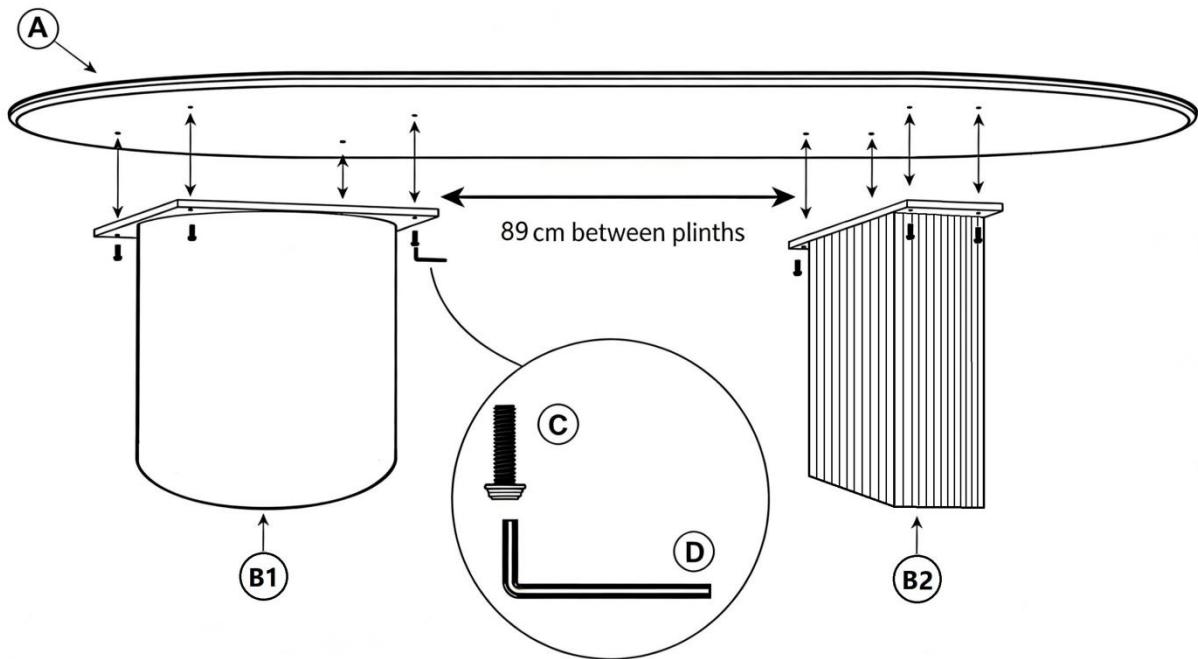


Component Checklist

REF	PART	NAME	QTY
A		Table top	1
B1		Table base	1
B2		Table base	1
C		35mm screw	8
D		Allen Key	1

Putting Me Together

NOTE: You will need a minimum of 2 persons to assemble due to size and weight of table top.



- ① Unpack all components and place table base (B) into position.
- ② Carefully place timber table top (A) on top of 2 table base (B) making sure to line up screw holes.
- ③ Once aligned, screw in (C) using provided allen key (D)

TIP: Do not fully tighten screws until all 8 screws are in place.

CAUTION: You will need to disassemble this dining table for any relocation to avoid damage to the tabletop. Not doing so is likely to result in the table top bowing due to the heaviness of the attached table base plinths.