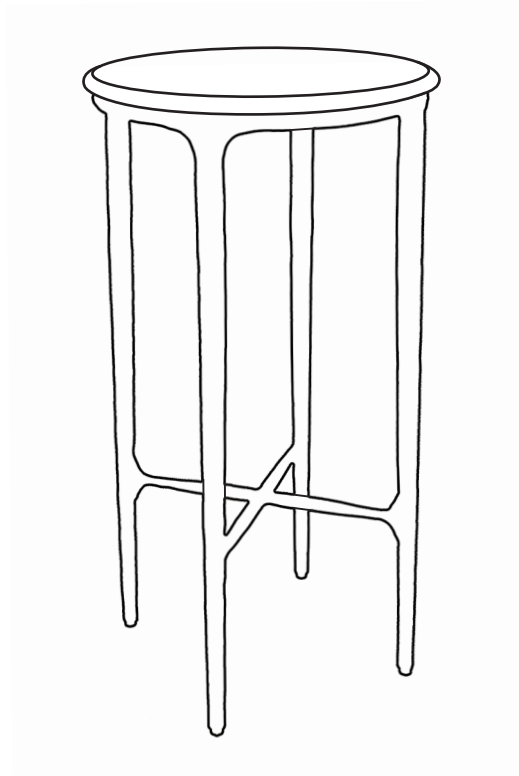







Assembly Instructions

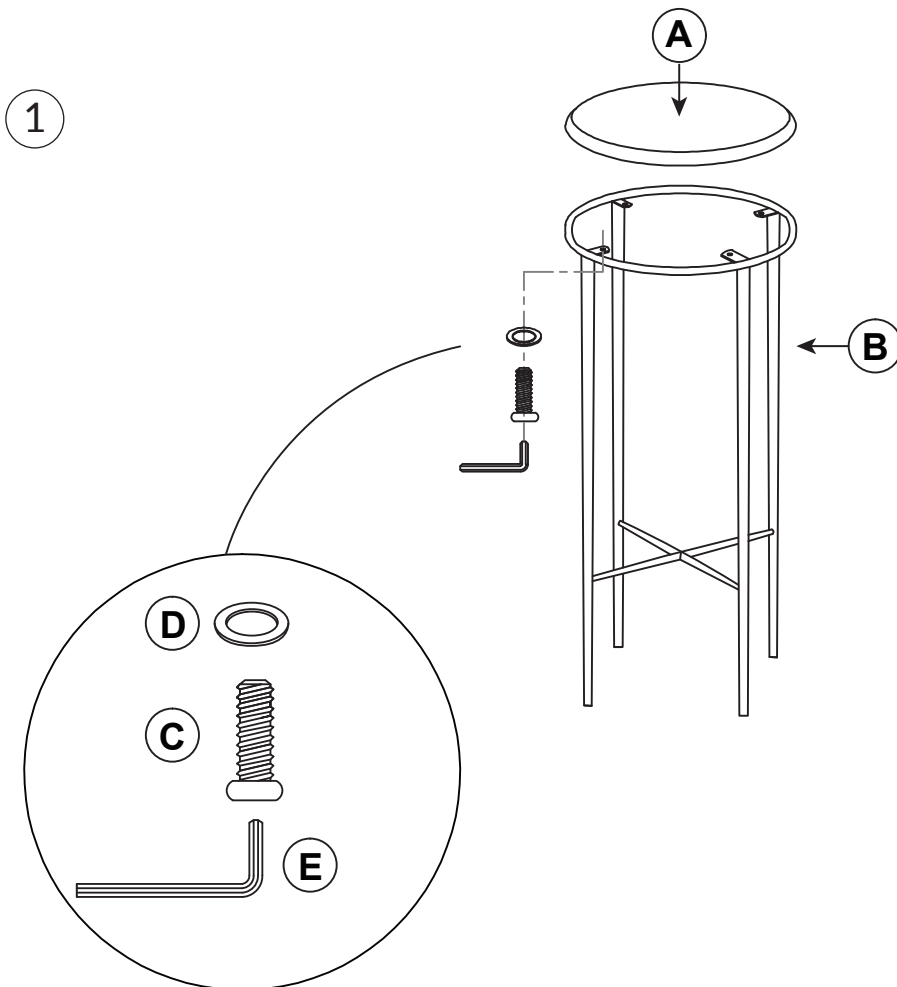
HESTON PETITE MARBLE SIDE TABLE



Component Checklist

REF	PART	NAME	QTY
A		Table top	1
B		Table frame	1
C		16mm screw	4
D		Round washer	4
E		Allen Key	1

Putting Me Together



- Carefully place table top (A) on to iron table base (B) making sure to align the screw holes
- Once aligned, place washer (D) over hole and proceed to screw in (C) using provided allen key (E)
TIP: Do not fully tighten until all screws are in place