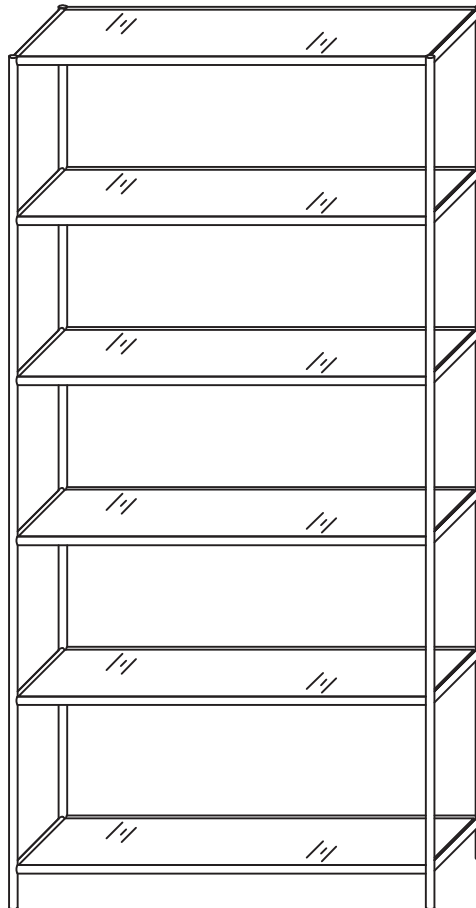





# Assembly Instructions

## HESTON SHELVING UNIT

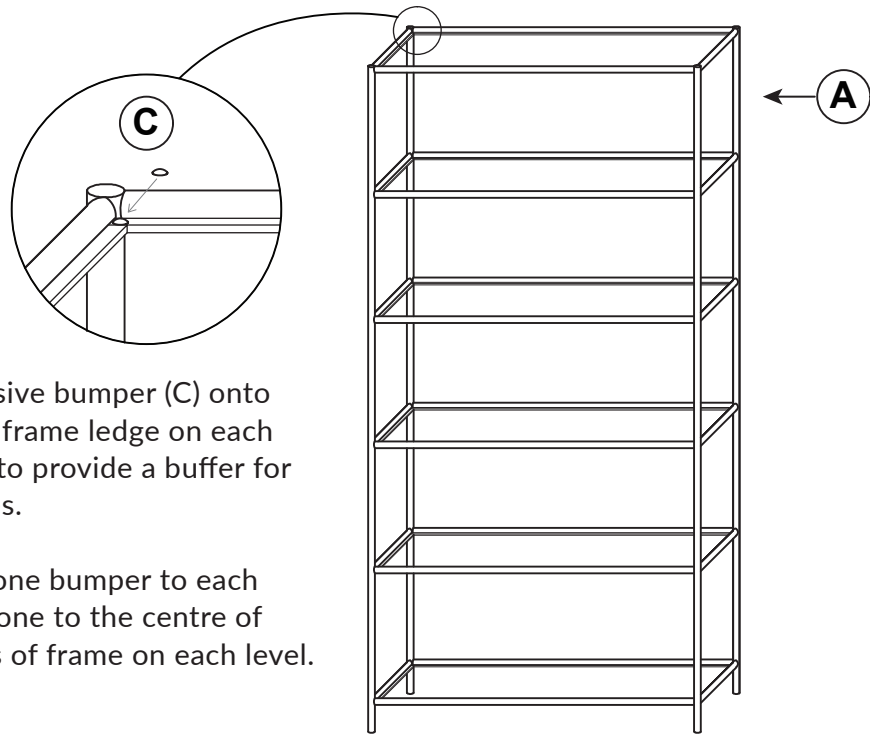


### Component Checklist

REF	PART	NAME	QTY
A		Shelving frame	1
B		Glass shelf	6
C		Bumper	36

## Putting Me Together

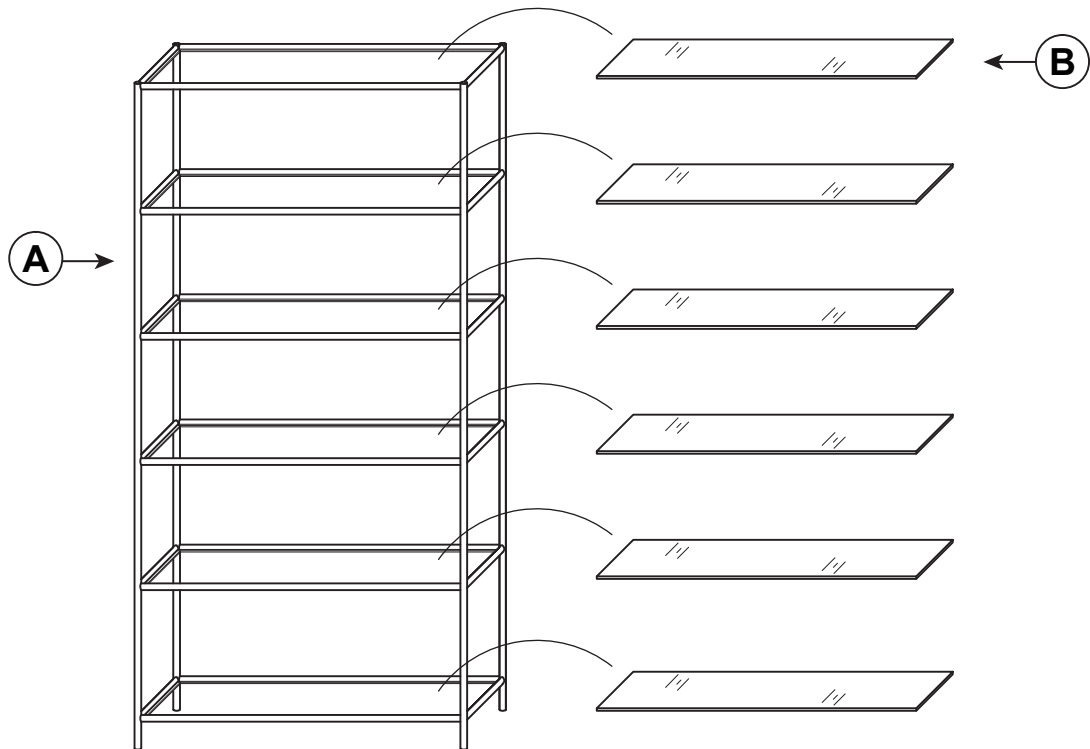
1



Apply adhesive bumper (C) onto inner metal frame ledge on each level, so as to provide a buffer for glass shelves.

**TIP:** Apply one bumper to each corner and one to the centre of longer sides of frame on each level.

2



Gently place glass shelf (B) on to metal frame (A) fitted with bumper (C).  
**TIP:** Work from the top shelf down and support shelf from under side as you lower it carefully into frame.