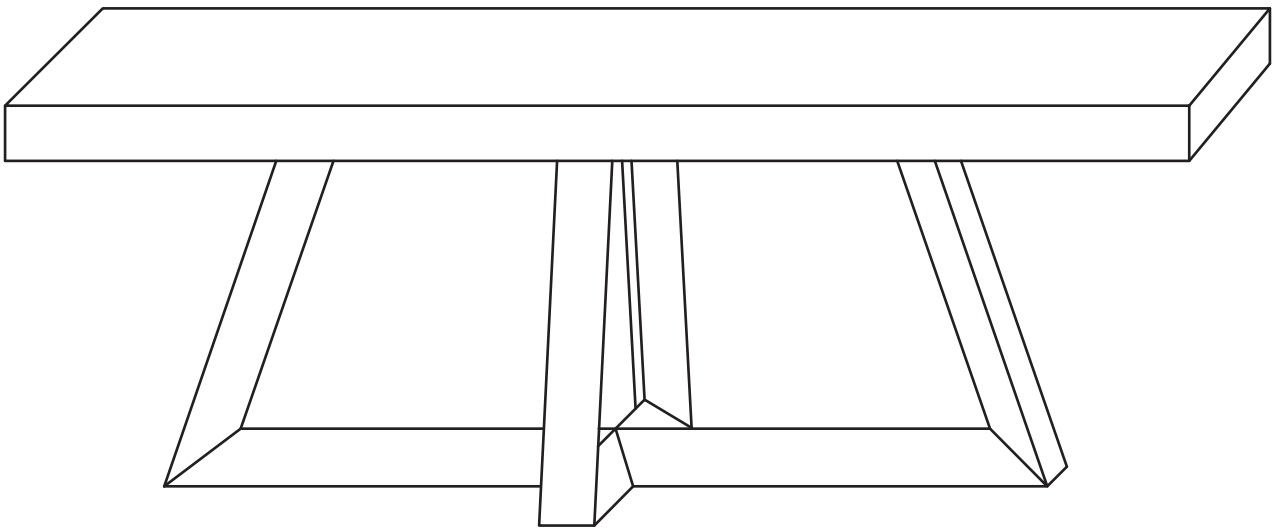
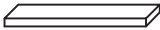
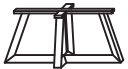






Assembly Instructions

EBONY MARBLE CONSOLE TABLE

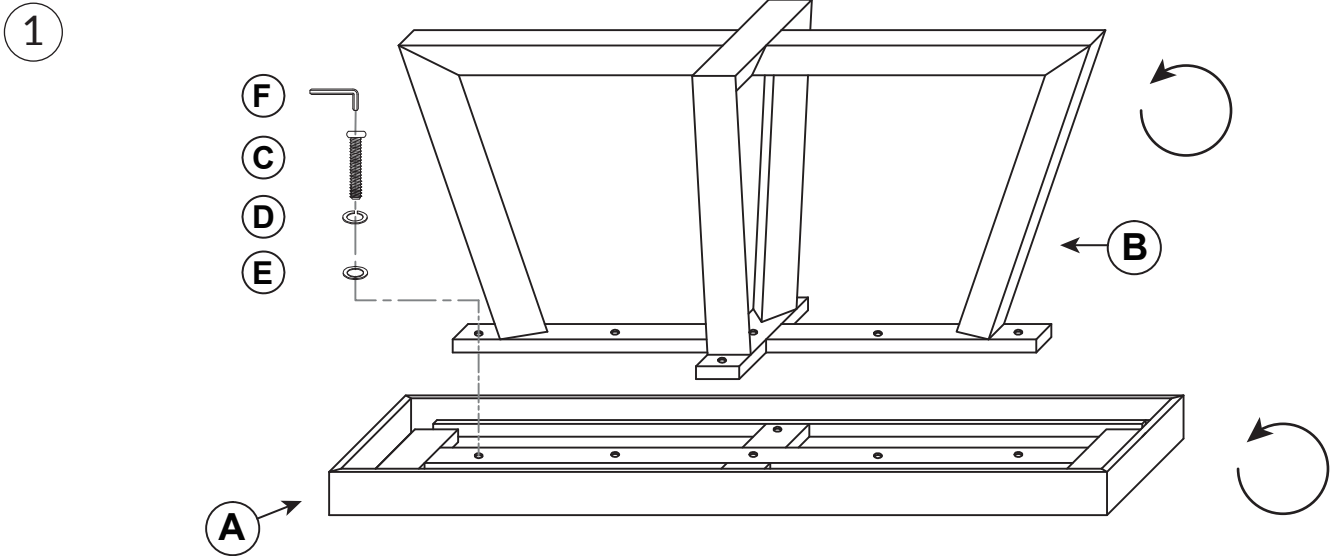


Component Checklist

REF	PART	NAME	QTY
A		Table top	1
B		Table frame	1
C		40mm screw	7
D		10mm washer	7
E		20mm washer	7
F		Allen Key	1

Putting Me Together

NOTE: You will need a minimum of 2 persons to assemble due to size and weight of marble table top.



- Carefully turn marble table top (A) upside down on a soft level surface (use a rug or blanket underneath on hard surface flooring)
- Gently place timber console table frame (B) upside down on top of marble console table top (A) making sure to align the holes with the holes in timber battens attached to underside of marble table top.
- Once aligned, place washer (E) over hole on timber base frame followed by the smaller locking washer (D) and proceed to screw in (C) using provided allen key (F).
TIP: Do not fully tighten screws until all are in place.

- 2
- Once all screws are securely tightened, carefully turn table upright and enjoy!
NOTE: A minimum of 2 persons will be needed to perform this step due to size and weight of item.

