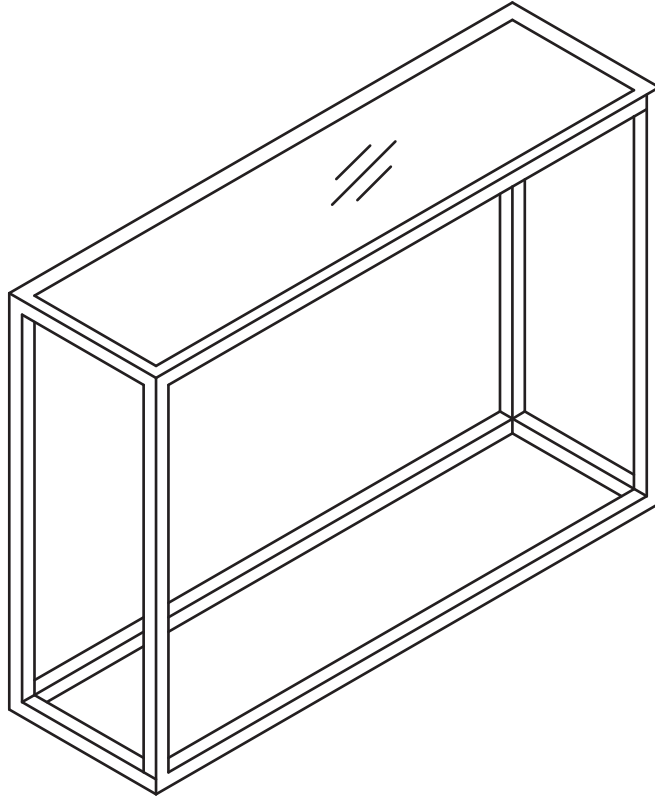
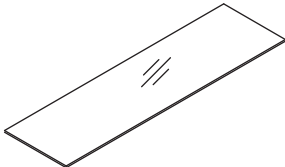
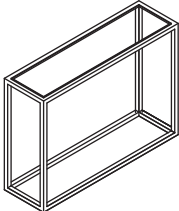


Assembly Instructions

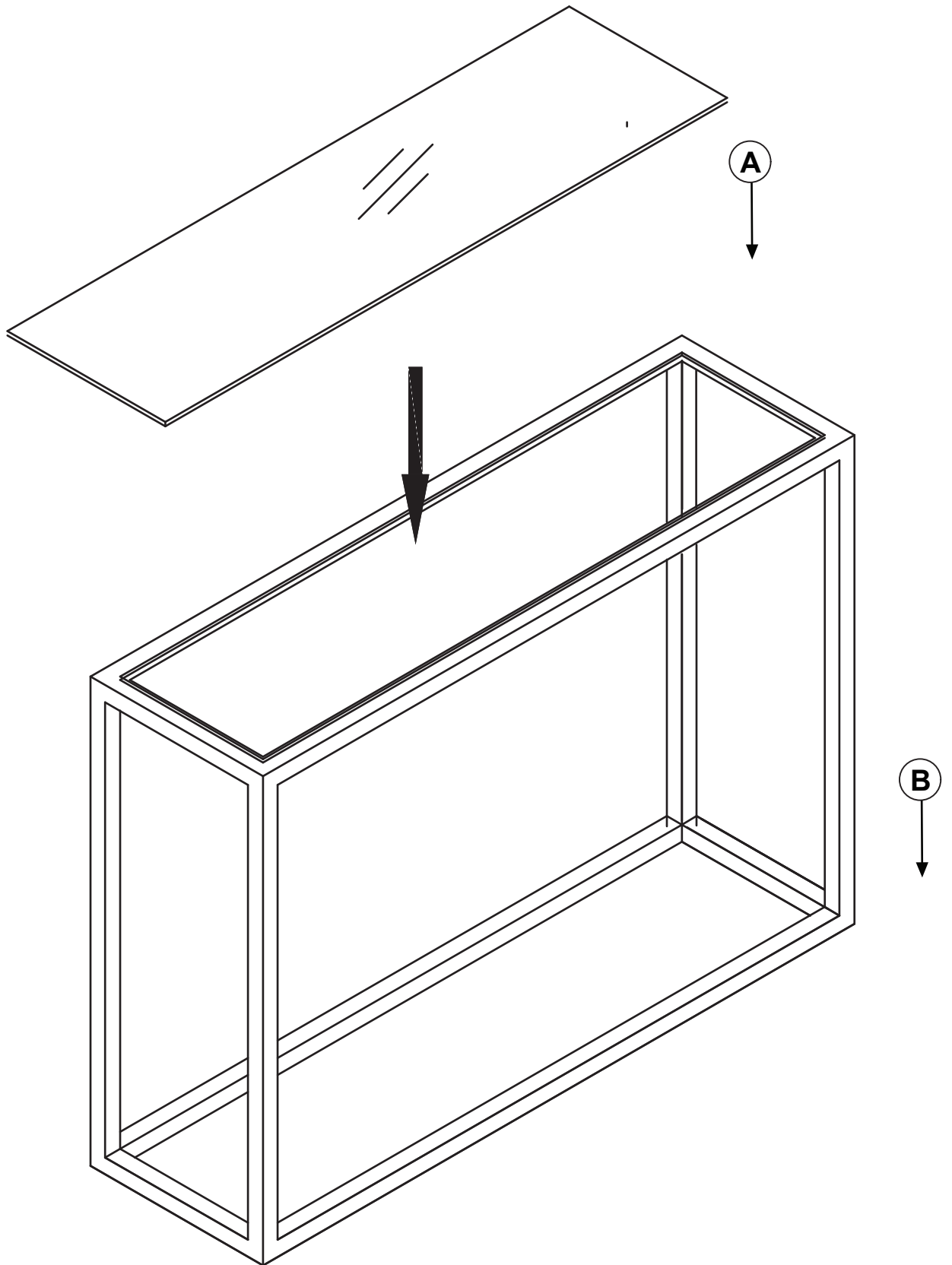
SADIE CONSOLE TABLE



Component Checklist

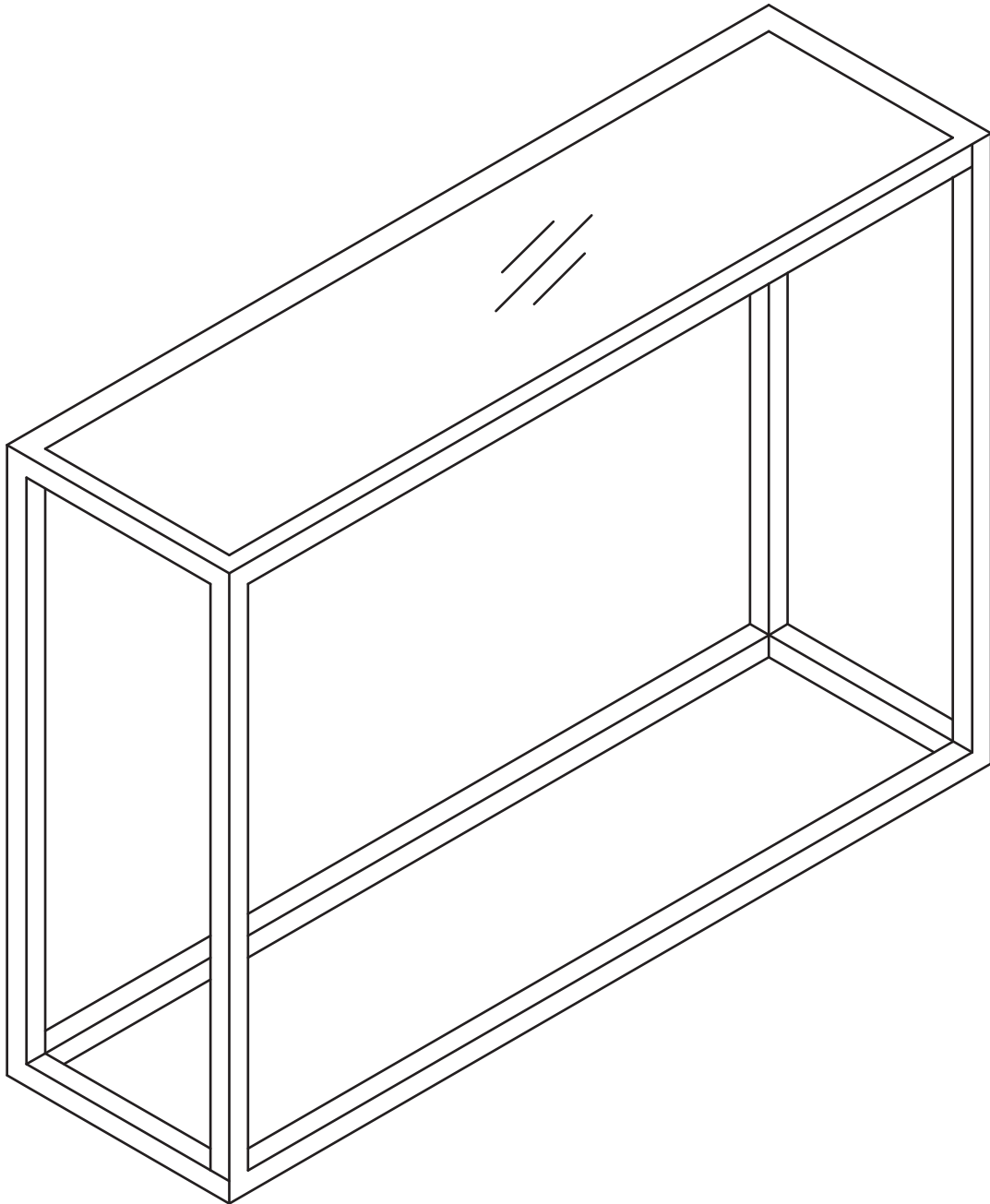
REF	A	B
PART		
NAME	Glass Top	Base
QTY	1	1

Putting Me Together



- 1 Place Base (B) on a flat level surface.
Put Glass Top (A) into Base (B), as shown.

Putting Me Together



2

Check if the table is steady and has no wobbles on a level surface.
If the table does not wobble, you can now use your Sadie Console Table and enjoy!