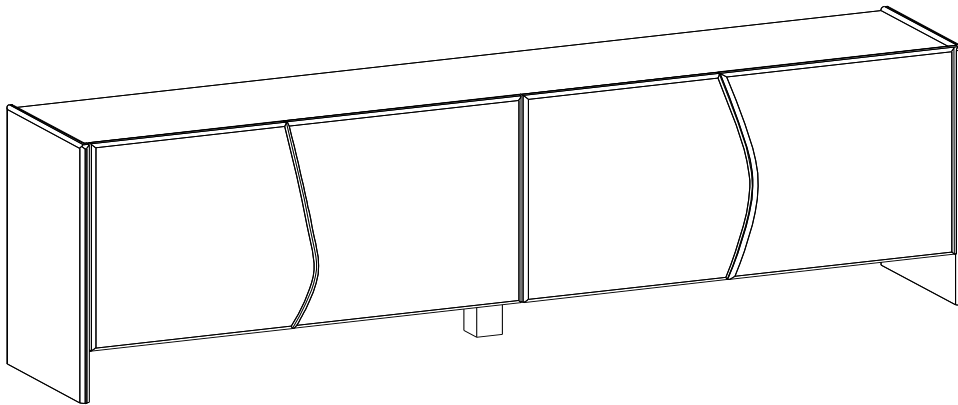
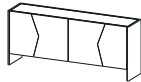

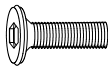

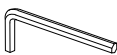


Assembly Instructions

EDWIN ENTERTAINMENT UNIT



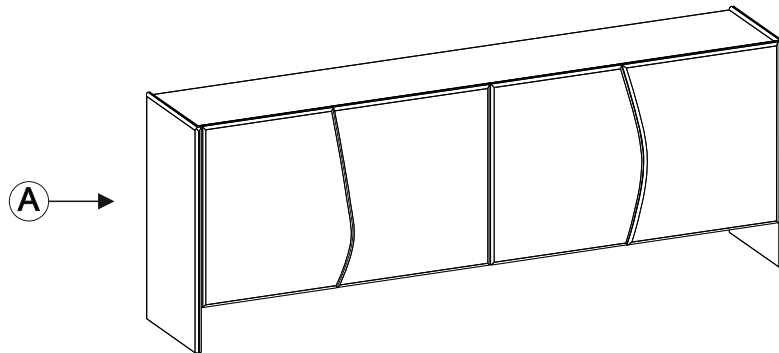
Component Checklist

REF	PART	NAME	QTY
A		Top	1
B		Leg	1
C		Allen bolt	2
D		Washer	2
E		Allen key	1

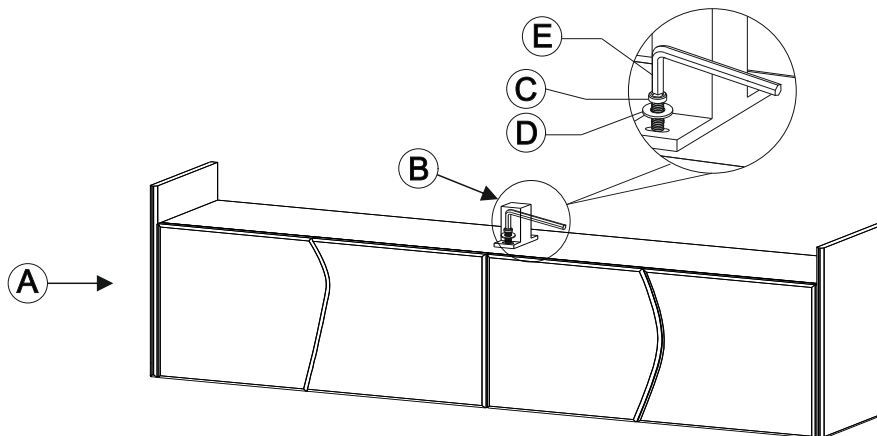
NOTE : Adding the middle leg is not essential but recommended as it provides more support.

Putting Me Together

NOTE: You will need a minimum of 2 persons to assemble due to size and weight of wooden tv cabinet.

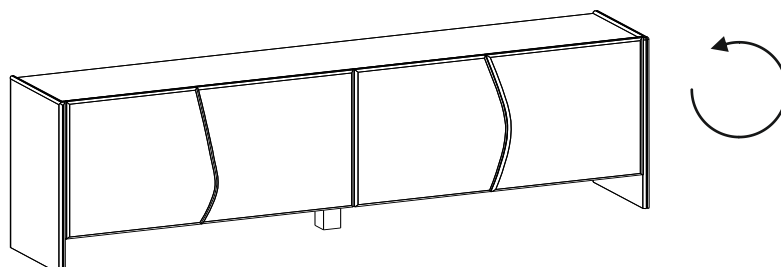


- 1 Carefully turn wooden tv cabinet (A) upside down on a soft level surface (use a rug or blanket underneath on hard surface flooring)



- 2 Gently place wooden tv cabinet leg (B) over the lip of wooden tv cabinet (A) making sure to align the holes with predrilled holes in wooden tv cabinet
- 3 Once aligned, place washer (D) over the hole and proceed to screw in (C) using provided allen key (E)
TIP: Do not fully tighten allen bolt until leg are in place.

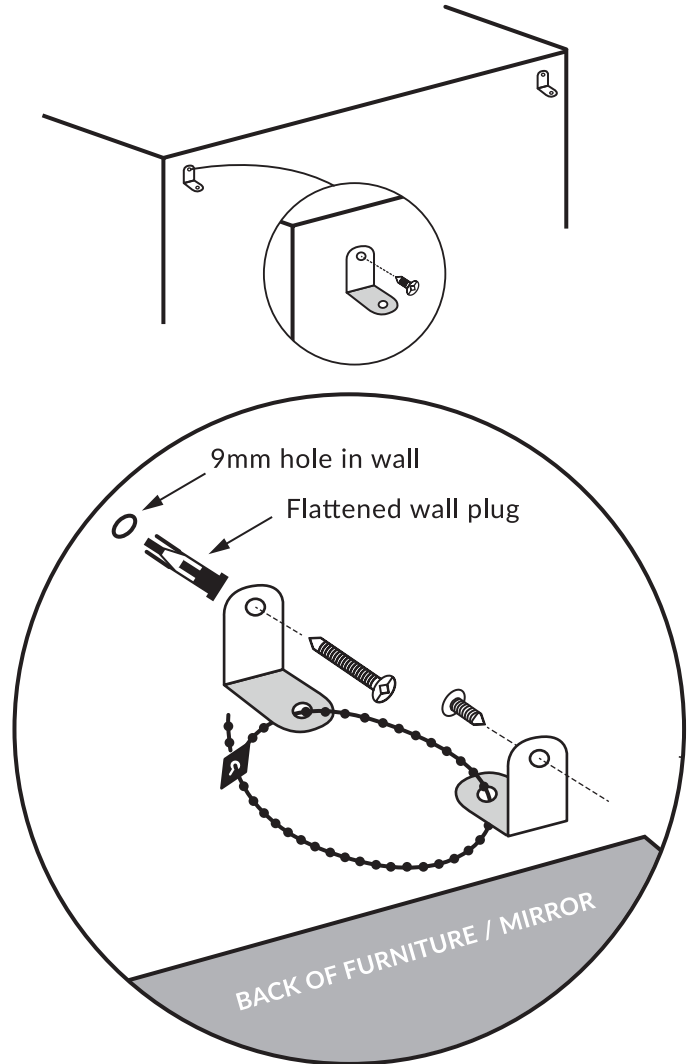
- 4 Once all 2 screws are securely tightened, carefully turn tv cabinet upright and enjoy!
NOTE: A minimum of 2 persons will be needed to perform this step due to size and weight of item.








Assembly Instructions

SAFETY ANCHOR

- ① Attach each mounting bracket securely to the back top edge of the furniture or mirror using the shorter screw.
- ② Determine where the furniture is to be placed and mark the location on the wall for the mounting bracket screw. Mark a hole approximately 5cm below the bracket mounted to the edge of furniture.
- ③ Drill a 9mm hole in the wall. Press the plastic anchor into the hole and gently tap until the flange on the anchor is against the wall surface.
- ④ Position the bracket over the anchor and use the longer screw to securely attach the bracket to the wall.
- ⑤ Place the furniture so the bracket on the back edge is in line with the bracket on the wall.
- ⑥ Lace an end of the nylon restraint strap down through each bracket. Bring both ends together and slide the beaded end of the strap through the keyhole shaped slot in the other end until snug. Pull down on the beaded end until it snap locks into the keyhole slot.
- ⑦ To double lock, return the beaded end back through the keyhole as shown.
- ⑧ Check to make sure the strap is securely laced and locked to the brackets.



PART	NAME	QTY
	Wall Plug	2
	Metal Bracket	4
	Ties	2
	Long Screw	2
	Short Screw	2

WARNING Secure Furniture with Anchor Kit Provided



Children have died from furniture tipover.

This furniture type is at high risk of toppling over:

- ALWAYS secure furniture with anchor device.
- NEVER allow children to stand, climb or hang on drawers, doors, or shelves.
- NEVER open more than one drawer at a time.
- Remember to place heavy items down low.