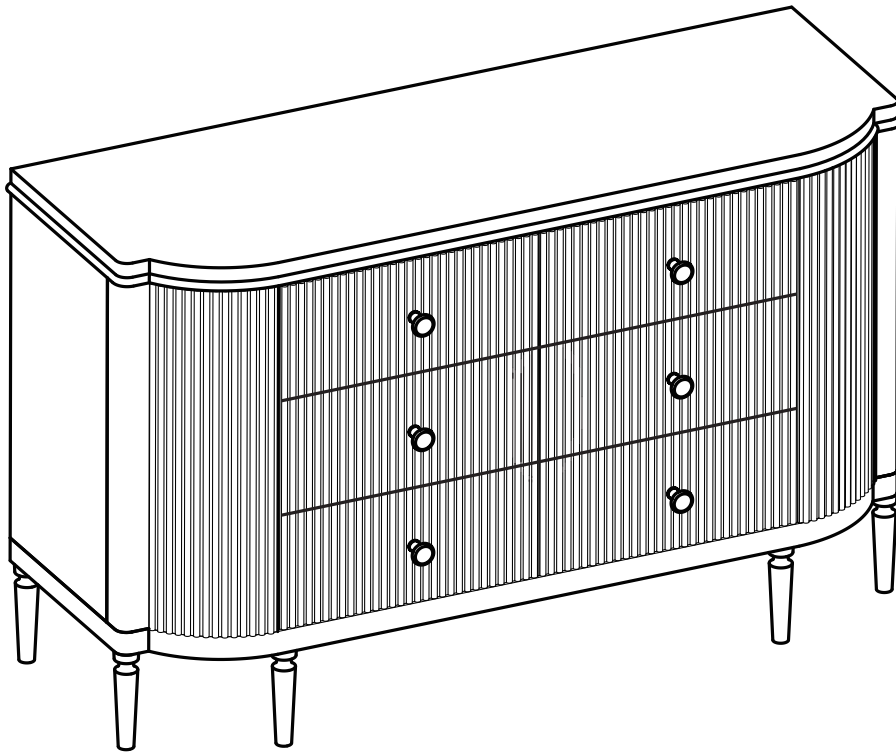
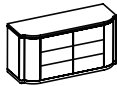






Assembly Instructions

ARIELLE 6 DRAWER CHEST

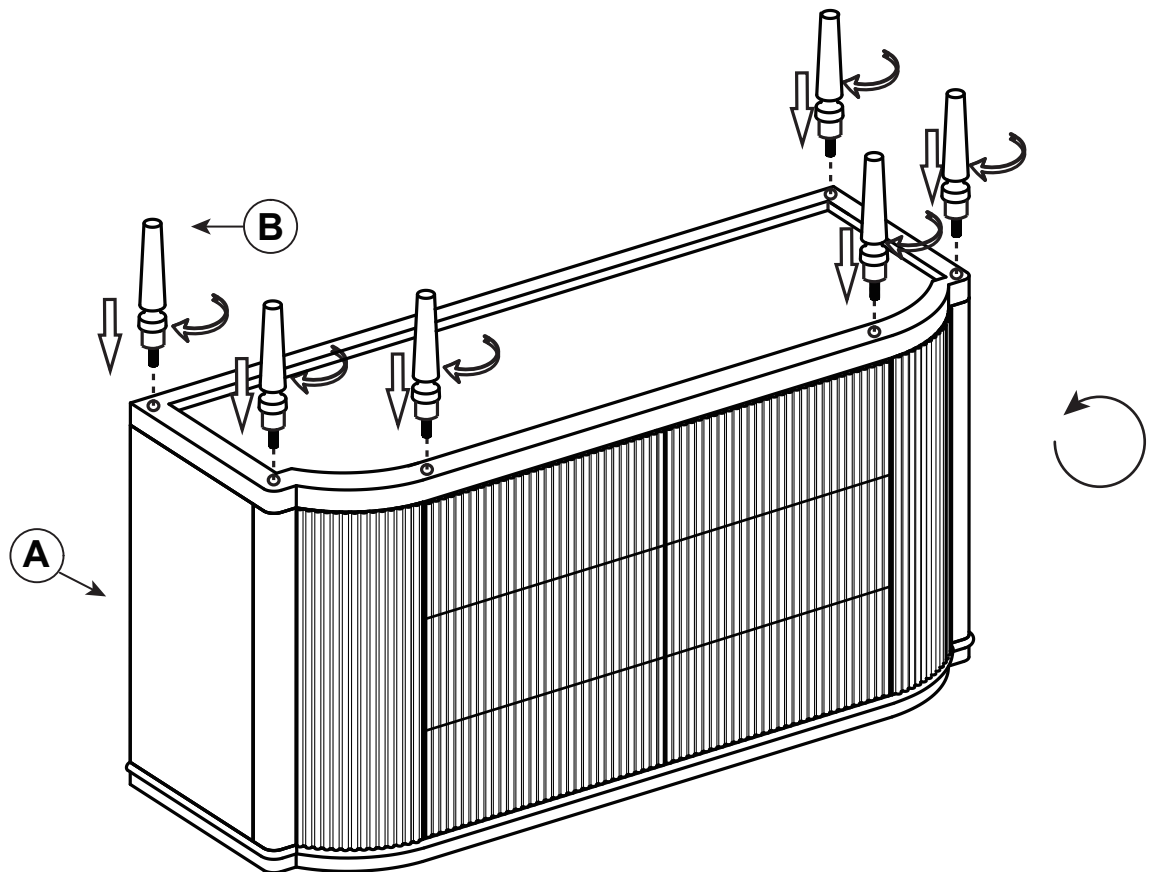


Component Checklist

REF	PART	NAME	QTY
A		6 drawer chest	1
B		Leg	6
C		Knob	3
D		Screw	3
E		Washers	3 + 3

Putting Me Together

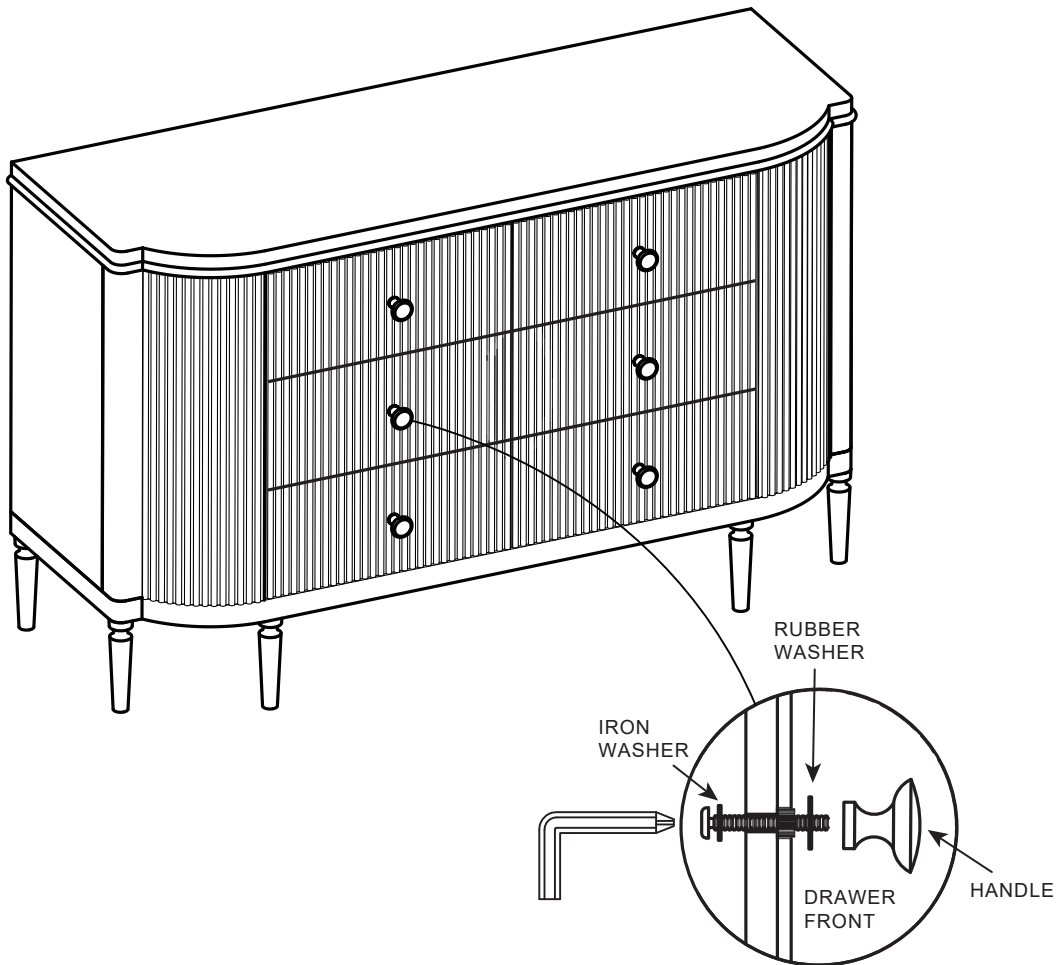
NOTE: You will need a minimum of 2 persons to assemble due to size and weight



- 1 Carefully turn chest (A) upside down on a soft level surface. (use a rug or blanket underneath on hard surface flooring)
- 2 Insert the bolt of leg (B) into the hole as indicated and proceed to screw leg in a clockwise direction. Repeat for all six legs.

Putting Me Together

- ③ Once all legs are securely tightened, carefully turn chest upright.



- ④
- Unscrew knob (C) that is attached to inside of drawer fronts (allen key not included)
 - Insert iron washer onto screw (D) and thread through drawer from back.
 - Place rubber washer over screw end and screw on knob (C) making sure not to overtighten.