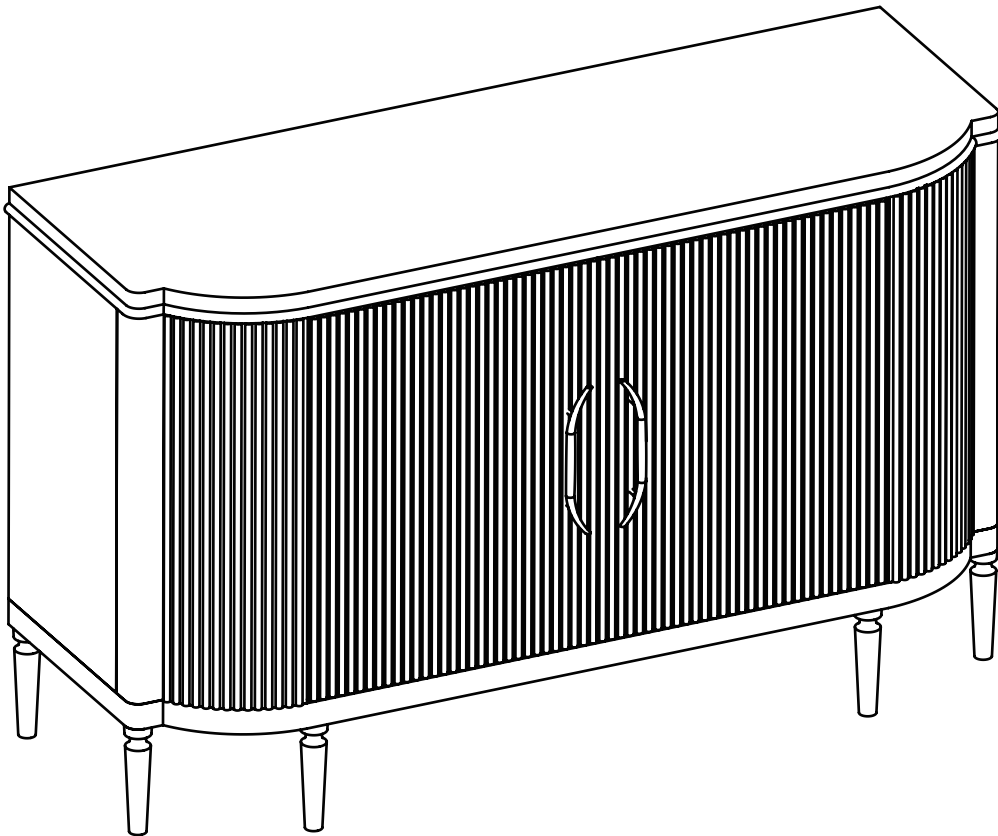
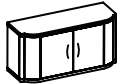



*Assembly Instructions*

ARIELLE BUFFET

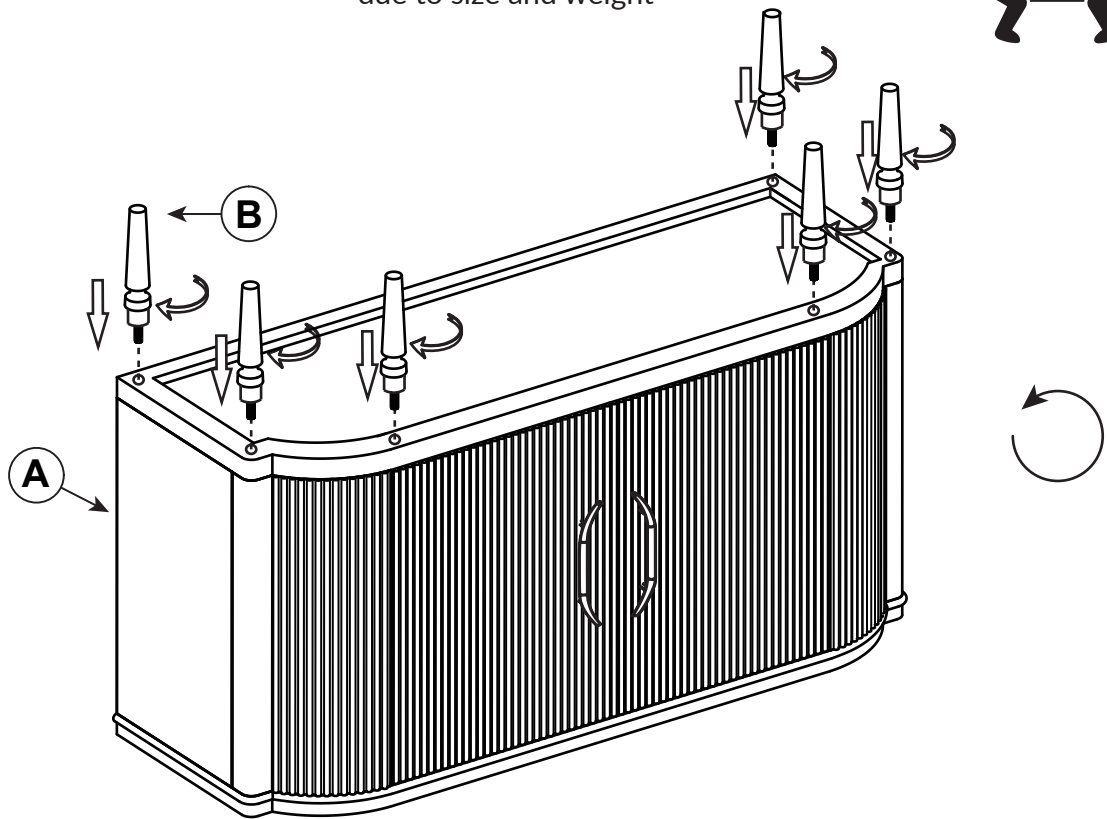


**Component Checklist**

REF	PART	NAME	QTY
A		Buffet	1
B		Leg	6

## Putting Me Together

**NOTE:** You will need a minimum of 2 persons to assemble due to size and weight



- 1 Carefully turn buffet (A) upside down on a soft level surface. (use a rug or blanket underneath on hard surface flooring)
- 2 Insert the bolt of leg (B) into the hole as indicated and proceed to screw leg in a clockwise direction. Repeat for all six legs.
- 3 Once all legs are securely tightened, carefully turn buffet upright.

