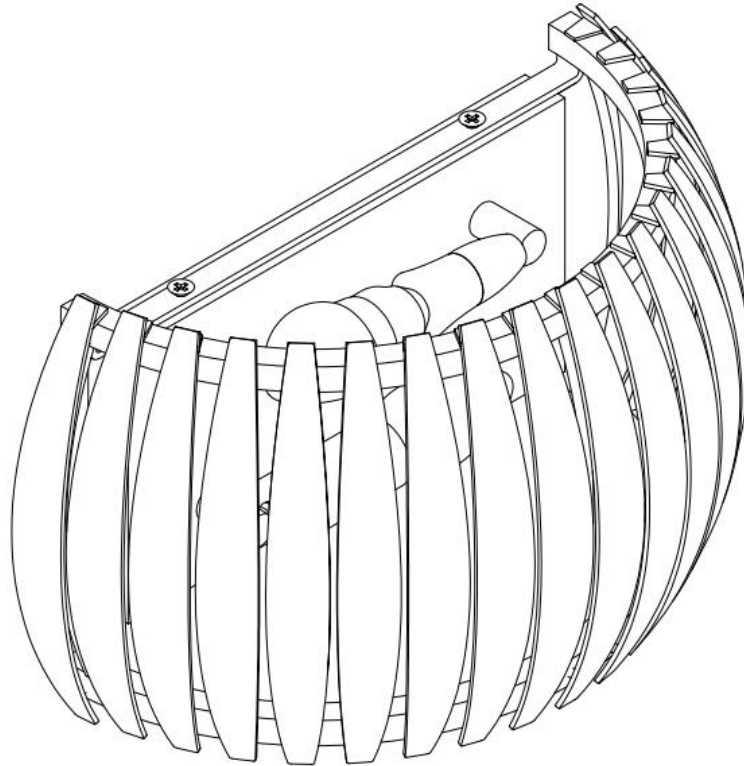



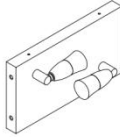




Assembly Instructions

EASTON WALL SCONCE



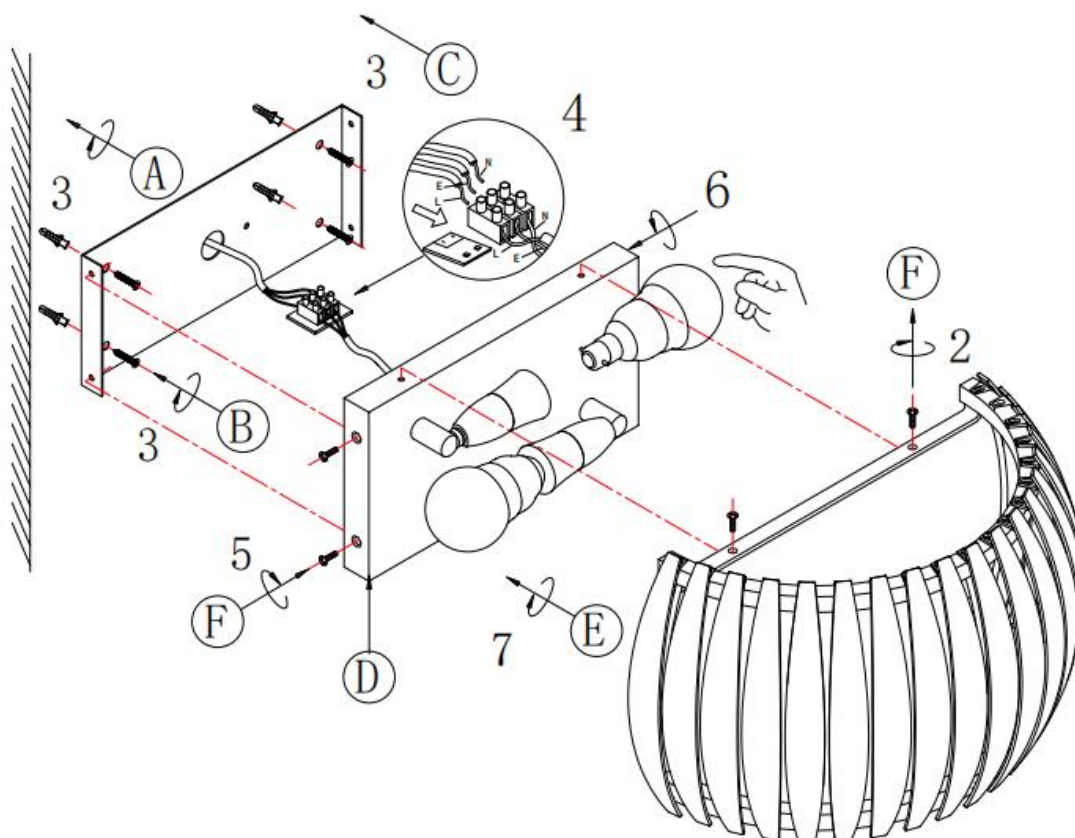
Component Checklist

| REF | A | B | C | D | E | F |
|------|---|---|---|---|---|---|
| PART |  |  |  |  |  |  |
| NAME | Expansion Tubes | Screws | Mounting Bracket | Lamp Body | Metal Shade | Screws |
| QTY | 4 | 4 | 1 | 1 | 1 | 6 |

Putting Me Together

WARNING: Switch off the main electrical supply from main fuse box/circuit breaker before installation.

NOTE: This lighting fixture must be installed by a licensed electrician.

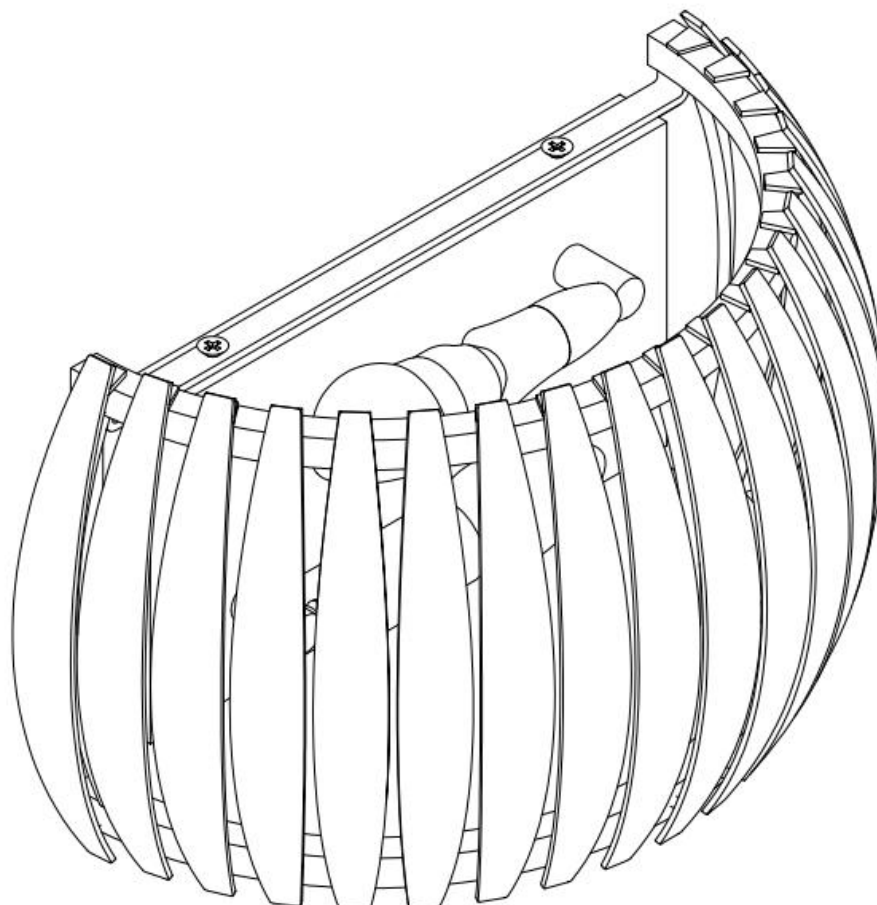


- ① Carefully, remove all parts from the box. Drill holes on the wall based on the size of expansion tube (A) and in line with holes in mounting bracket (C).
- ② Remove the screws (F) from the metal shade (E).
- ③ Insert expansion tubes (A) in the holes in the wall, then attach mounting bracket (C) using screws (B).
- ④ Connect the 3 power wires from the lamp to the power wires.

Brown is the Live wire
Blue is the Neutral wire
Green/Yellow is the Earth wire

- ⑤ Attach the lamp body (D) to mounting bracket (C) and secure with screws (F).
- ⑥ Install the light globes (not included) on the socket.

Putting Me Together



- ⑦ Attach the metal shade (E) on the lamp body (D) and secure with bolt (F), as shown.
- ⑧ Installation is complete, turn on power at fuse or circuit breaker. Then turn on the wall sconce by turning the wall switch on and enjoy your Easton Wall Sconce!
- ⑨ Clean with a dry, soft cloth only.
Use no harsh abrasives or chemical agents.

220-240V-50Hz B22 Max. 40W

Globe not included