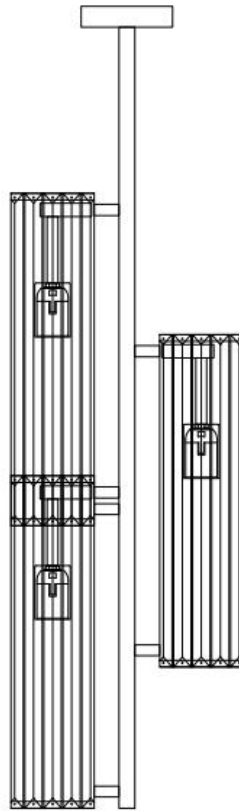



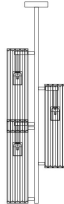



Assembly Instructions

ALANA CRYSTAL PENDANT - 3 GLOBE



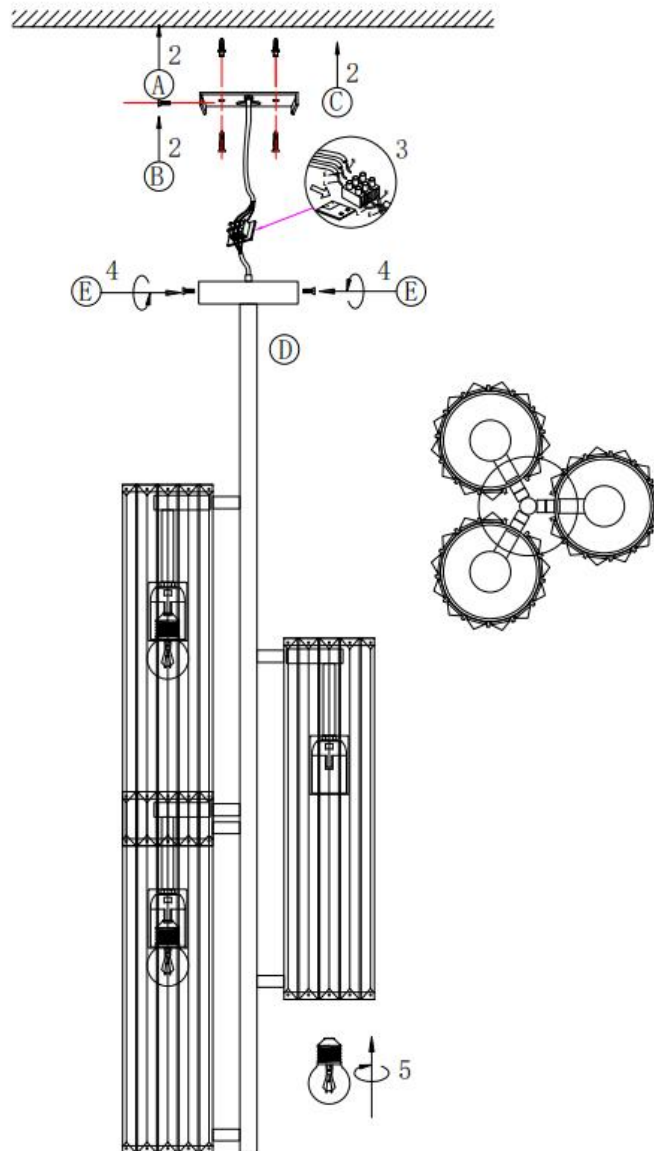
Component Checklist

REF	A	B	C	D	E
PART					
NAME	Expansion Tubes	Screws	Mounting Bracket	Lamp Body	Screws
QTY	4	4	1	1	2

Putting Me Together

WARNING: Switch off the main electrical supply from main fuse box/circuit breaker before installation.

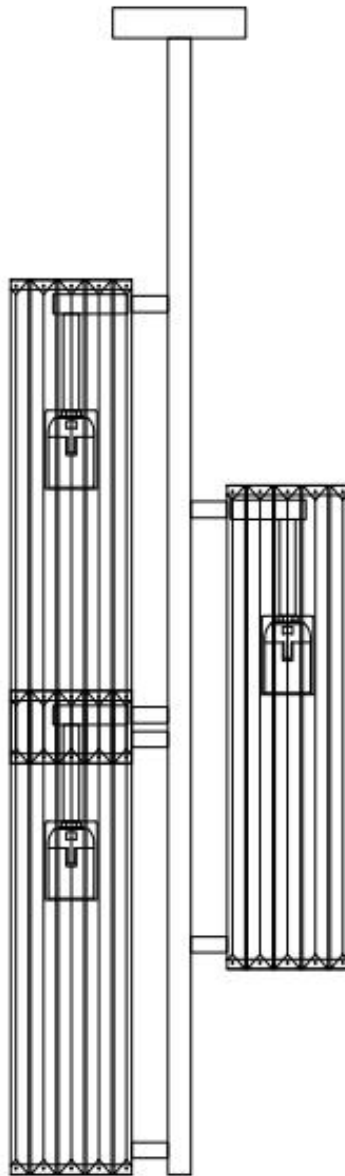
NOTE: This lighting fixture must be installed by a licensed electrician.



- ① Carefully, remove all parts from the box. Drill holes in the ceiling support beam based on the size of expansion tube (A) and in line with holes in mounting bracket (C).
- ② Insert expansion tubes (A) in the holes in the ceiling support beam, then ceiling support beam with screws (B).
- ③ Connect the 3 power wires from the pendant to the power wires in the ceiling.

Brown is the Live wire
Blue is the Neutral wire
Green/Yellow is the Earth wire

Putting Me Together



- ④ Attach the lamp body (D) to mounting bracket (C) and secure with bolt (E), as shown.
- ⑤ Install the light globes (not included) to lamp holder.
- ⑥ Installation is complete, turn on power at fuse or circuit breaker. Then turn on the pendant by turning the wall switch on and enjoy your Alana Crystal Pendants - 3 Globe!
- ⑦ Clean with a dry, soft cloth only.
Use no harsh abrasives or chemical agents.

220-240V-50Hz E27 Max. 40W

Globe not included