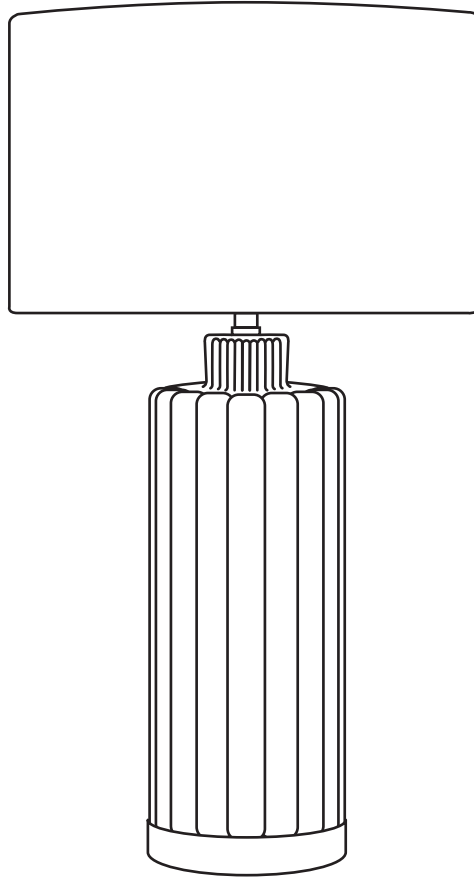
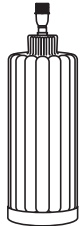




Assembly Instructions

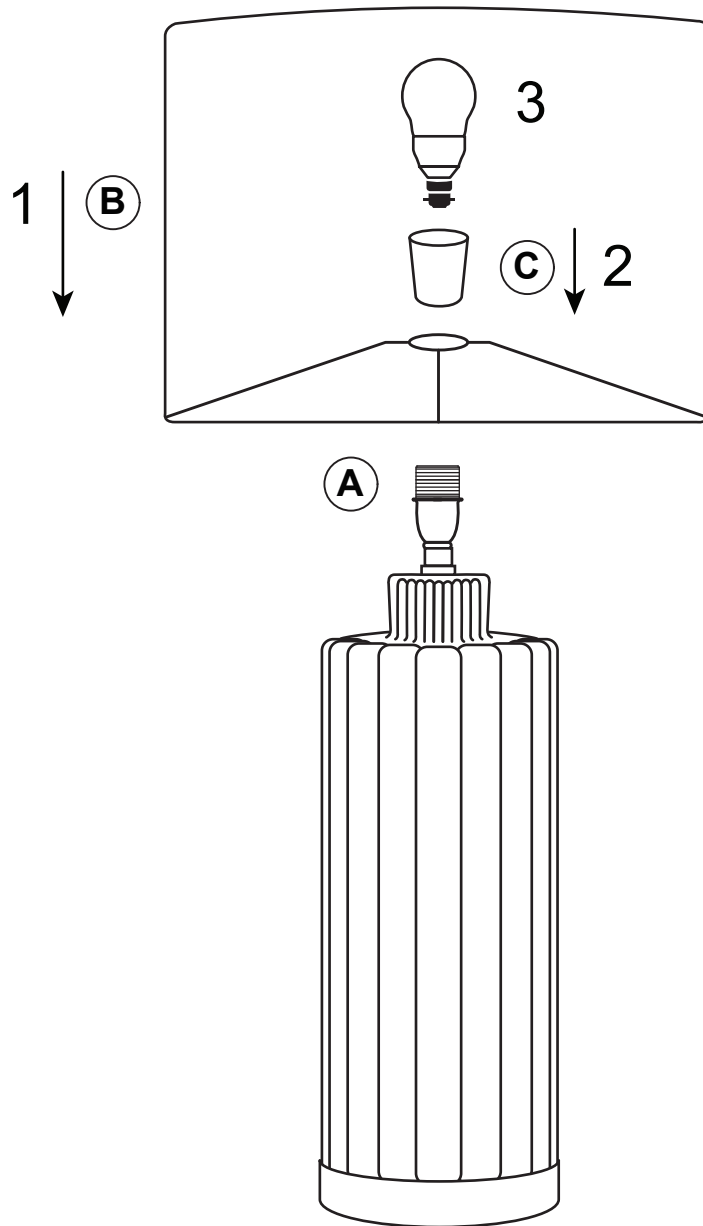
ALLURE TABLE LAMP



Component Checklist

REF	A	B	C
PART			
NAME	Lamp base	Shade	Lamp holder skirt
QTY	1	1	1

Putting Me Together



- ① Carefully unpack all parts from box and place lamp base on flat surface. Place shade (B) on top of lamp base socket (A).
- ② Screw lamp holder skirt (C) on to lamp base socket (A) to secure shade lightly.
- ③ Insert B22 globe into lamp holder (globe not included).
NOTE: Make sure there is no power to lamp while inserting or changing globes.

220-240V-50Hz B22 Max. 40W

Bulb not included