






Nero

Elgin Care Basin Mixer

Finish & SKU

 Chrome NR231401bCH	 Brushed Nickel NR231401bBN
 Matte Black NR231401bMB	 Brushed Gold NR231401bBG
 Gun Metal NR231401bGM	

Specifications

Watermark License

WM-060073

Temperature Rating

Min 1°C-Max 75°C

Pressure Rating

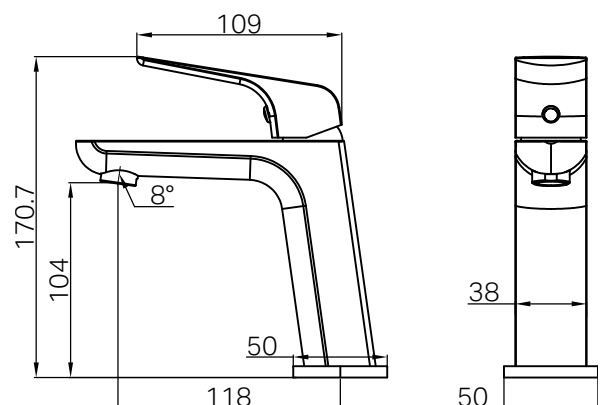
Min 150kpa-Max 500kpa

Warranty



Features

- Designed for aged care and public applications in Australia and New Zealand
- Large colour indicators for clear hot and cold identification — ideal for aged care use
- Equipped with Neoperl aerator for smooth water flow and water efficiency
- Uses 25mm ceramic cartridge for reliable performance and control
- Nylon braided PEX inlet hoses for durability and corrosion resistance



Maintenance And Care

- Regularly check the mixer and connections for signs of wear or leaks.
- Clean the tap with mild soapy water to maintain its appearance, avoiding harsh chemicals and abrasive materials that may damage the finish.

- Dimensions are nominal measurements only.