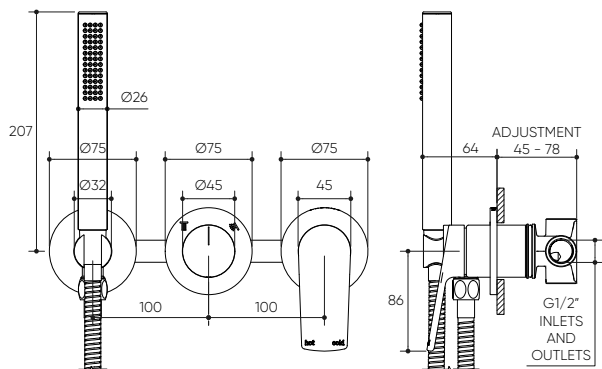


SERIEA COLLEZIONE

Wall Mixer with Diverter & Hand Shower

LUCENT[®]

Product Specifications



Specifications

Temperature Rating: 1-75°C

Pressure Rating: 150 - 1000kPa

Features

Complete Kit Includes Rough-In Kit and Trim Kit

Includes Water-Proof Flange Patented Design

Easily Update Mixer Design and/or Finish with any Style Switch Mixer Collection

Ceramic 90° Rotary Diverter to switch between Hand-piece and a Second Connected Outlet

High Quality, Solid Brass Backplates

Designed in Australia

Complete Kit Code	Finish	Trim Kit Code
14011PBG	● Brushed Gold	10003PBG
14011CP	● Chrome	10003CP
14011PBN	● Brushed Nickel	10003PBN
14011PGM	● Gun Metal	10003PGM
14011PCB	● Chocolate Bronze	10003PCB
14011PMB	● Matte Black	10003PMB



In-Wall Body Code
9936



For more information, contact:
P. 1300 474 714 E. info@lucentdesigns.com.au
Lucent, 15 Activity Crescent, Molendinar, Queensland 4214 Australia



All rights reserved 2024 Lucent. The images shown are for illustration purposes only and may not be an exact representation of the product. Modifications and adjustments may occur over time and the product should be used to confirm marking out and/or rough in as line drawings shown may vary from the item supplied over time. All measurements are in Millimetres and Colours are indicative and may vary from the images shown. Commercial and residential warranties may differ. Please refer to our website for full terms and conditions. <https://lucentdesigns.com.au/pages/warranty>