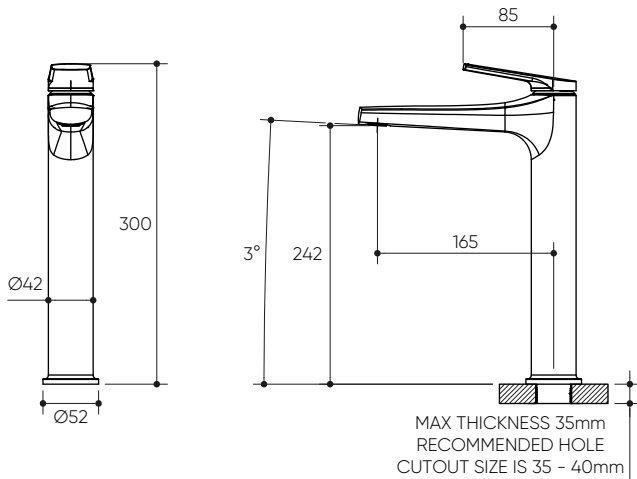


# SEREIA COLLEZIONE

## Tall Basin Mixer

### Product Specifications

# LUCENT<sup>®</sup>



### Style Switch

#### Specifications

Temperature Rating: 1-75°C

Pressure Rating: 150 - 1000kPa

#### Features

Extended Body Height for use with Above-Counter Basins

Ergonomic Handle Design for Ease of use

35mm Ceramic Mixer Cartridge with 20 Year Warranty

Highly Durable, Solid Brass Construction

Hidden Aerator for a Sleek, Stylish Appearance

Designed in Australia

#### Complete Kit Code

#### Finish

14006PBG	● Brushed Gold
14006CP	● Chrome
14006PBN	● Brushed Nickel
14006PGM	● Gun Metal
14006PCB	● Chocolate Bronze
14006PMB	● Matte Black



For more information, contact:  
P. 1300 474 714 E. [info@lucentdesigns.com.au](mailto:info@lucentdesigns.com.au)  
Lucent, 15 Activity Crescent, Molendinar, Queensland 4214 Australia

All rights reserved 2024 Lucent. The images shown are for illustration purposes only and may not be an exact representation of the product. Modifications and adjustments may occur over time and the product should be used to confirm marking out and/or rough in as line drawings shown may vary from the item supplied over time. All measurements are in Millimetres and Colours are indicative and may vary from the images shown. Commercial and residential warranties may differ. Please refer to our website for full terms and conditions. <https://lucentdesigns.com.au/pages/warranty>

