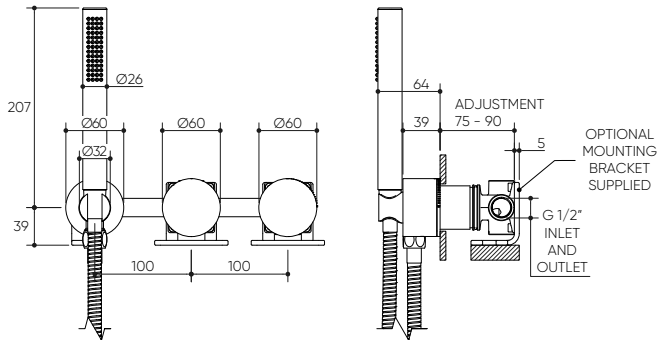


CAHYA COLLEZIONE

Wall Progressive Mixer with Diverter & Hand Shower

LUCENT

Product Specifications



Specifications

Temperature Rating: 1-75°C

Pressure Rating: 150 - 1000kPa

Features

Complete Kit Includes Rough-In Kit and Trim Kit

Includes Water-Proof Flange Patented Design

Easily Update Mixer Design and/or Finish with any Style Switch Progressive Collectioner Design and/or Finish with any Style Switch Mixer Collection

Ceramic 90° Rotary Diverter to switch between Hand-piece and a Second Connected Outlet

High Quality, Solid Brass Backplates

Designed in Australia

Complete Kit Code	Finish	Trim Kit Code
13040PBG	● Brushed Gold	10006PBG
13040CP	● Chrome	10006CP
13040PBN	● Brushed Nickel	10006PBN
13040PGM	● Gun Metal	10006PGM
13040PCB	● Chocolate Bronze	10006PCB
13040PMB	● Matte Black	10006PMB



In-Wall Body Code

9940



For more information, contact:
 P. 1300 474 714 E. info@lucentdesigns.com.au
 Lucent, 15 Activity Crescent, Molendinar, Queensland 4214 Australia

All rights reserved 2024 Lucent. The images shown are for illustration purposes only and may not be an exact representation of the product. Modifications and adjustments may occur over time and the product should be used to confirm marking out and/or rough in as line drawings shown may vary from the item supplied over time. All measurements are in Millimetres and Colours are indicative and may vary from the images shown. Commercial and residential warranties may differ. Please refer to our website for full terms and conditions. <https://lucentdesigns.com.au/pages/warranty>

