

MT MONOPOLY™
T A P W A R E

40MM BOTTLE TRAP

BOT-04



Features

- Innovative design allowing for universal application
- High quality chrome finish
- Watermark approved
- Solid Brass
- Kee seal connection included
- Hidden integrated service cap
- Supplied with 32MM adaptor
- Available in Chrome, Rose Gold and Matt Black Finish



Austworld
PO Box 311
Ashmore City
QLD 4214

P: 1300 780 430
F: 1300 780 441
E: info@austworld.com.au
W: www.austworld.com.au

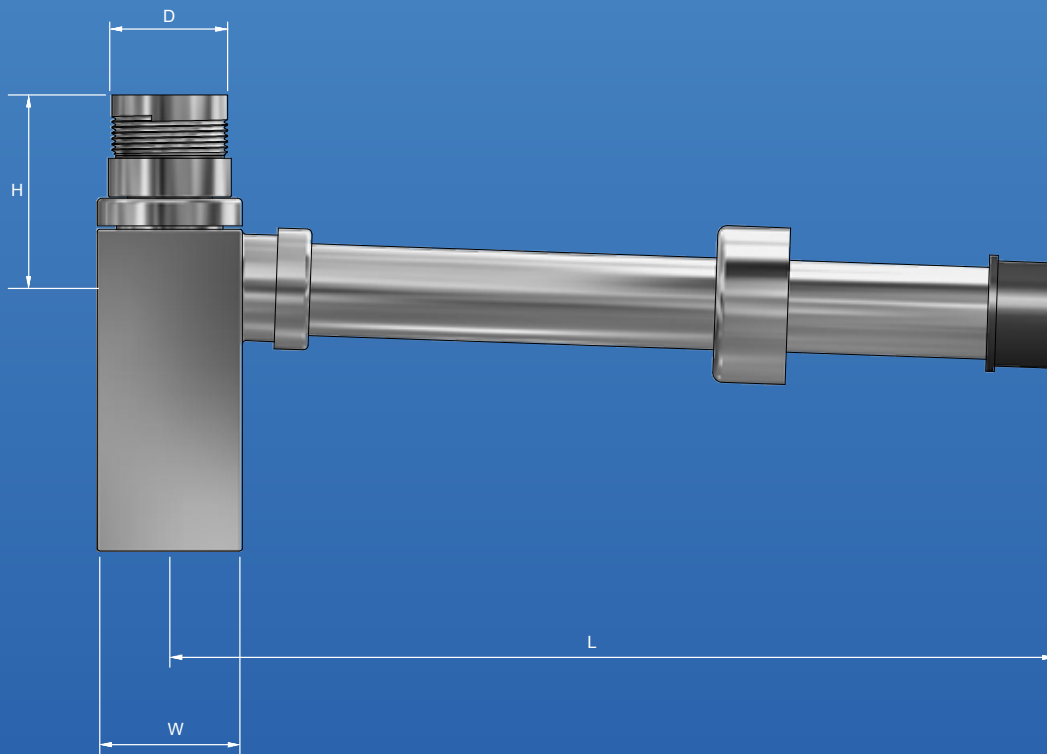


DISCLAIMER: AS PART OF AUSTWORLD COMMITMENT TO QUALITY PRODUCTS, AUSTWORLD RESERVES THE RIGHT TO ALTER THE DESIGN OR SPECIFICATION OF ITS PRODUCT WITHOUT NOTICE. THE PRODUCT IMAGES SHOWN ARE FOR ILLUSTRATION PURPOSES ONLY AND MAY NOT BE AN EXACT REPRESENTATION OF THE PRODUCT

Ver 1.0

MT MONOPOLY™ TAPWARE

40MM BOTTLE TRAP



Sizing Chart MM

D	H	L	W
40FI	58MIN - 142MAX*	365**	58

*H extendable from 58mm to 142mm
**L can be cut to length



Austworld
PO Box 311
Ashmore City
QLD 4214

P: 1300 780 430
F: 1300 780 441
E: info@austworld.com.au
W: www.austworld.com.au



DISCLAIMER: AS PART OF AUSTWORLD COMMITMENT TO QUALITY PRODUCTS, AUSTWORLD RESERVES THE RIGHT TO ALTER THE DESIGN OR SPECIFICATION OF ITS PRODUCT WITHOUT NOTICE. THE PRODUCT IMAGES SHOWN ARE FOR ILLUSTRATION PURPOSES ONLY AND MAY NOT BE AN EXACT REPRESENTATION OF THE PRODUCT