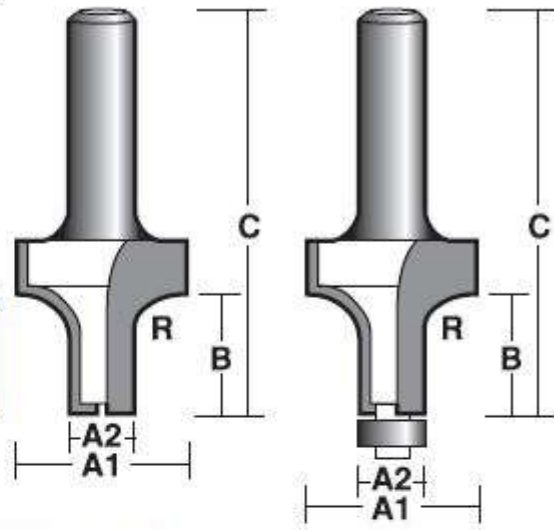
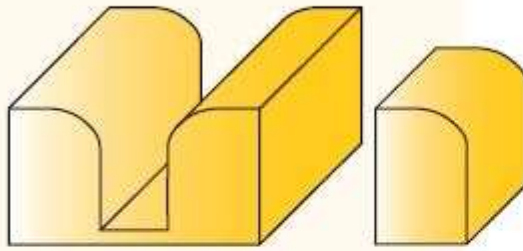


# EXTENDED ROUNDING OVER BITS

This bit is used for rounding over edges in areas where a ball bearing is not required.

It makes a decorative edge, or can be used to plunge completely through the material.



CARBIDE TIPPED - TWO FLUTES

**SUFFIX 1/2 = 1/2" SHANK, OTHERWISE 1/4"**

NO BEARING

PART No.	A1	A2	B	C	R RADIUS
	mm	mm	mm	mm	mm
TX 506	20	10	16	53	5
TX 508	25	13	19	59	6
TX 508 1/2	25	13	19	72	6
TX 512 1/2	33	13	25	79	10
TX 516 1/2	39	13	25	84	13
TX 520 1/2	45	13	28.6	82	16
TX 524 1/2	51	13	31.8	90.8	19

WITH BEARING

TX 508 B 1/2	24.7	12.7	19	71	6
TX 512 B 1/2	32.7	12.7	25	74	10
TX 516 B 1/2	38.7	12.7	25	80	13

Replacement Ball Bearing TB11