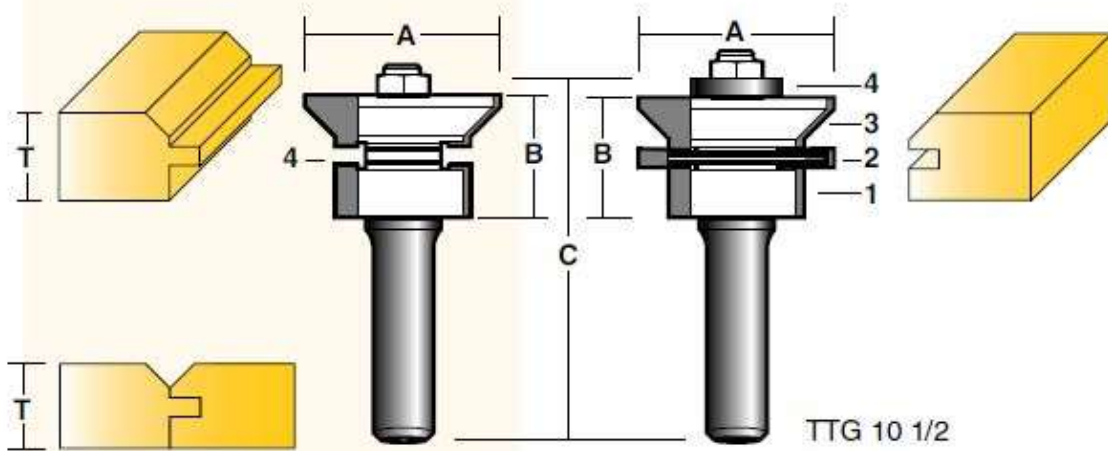


TONGUE AND GROOVE BIT for wall panel



To cut matching piece remove slotting cutter and add spacer supplied

CARBIDE TIPPED - TWO FLUTES

| PART No. | A | | B | | C | | T Min. | | T Max. | |
|------------|-------|------|-----|------|--------------|------|--------|---------|--------|------|
| | in. | mm | in. | mm | in. | mm | in | mm | in | mm |
| TTG 10 1/2 | 1-5/8 | 41.3 | 1 | 25.4 | 3-1/8 | 79.4 | 15/32 | 12.0 | 13/16 | 20.6 |
| TTGR 10 | 1-1/8 | 28.6 | | | Cutter only | | (1) | 10.5 mm | | |
| TTGS 10 | 1-5/8 | 41.3 | | | Slot cutter | | (2) | 4.0 mm | | |
| TTGC 10 | 1-5/8 | 41.3 | | | Bevel cutter | | (3) | 10.8 mm | | |
| TTGW 10 | | | | | Spacer | | (4) | | | |

Replacement Arbor TA19