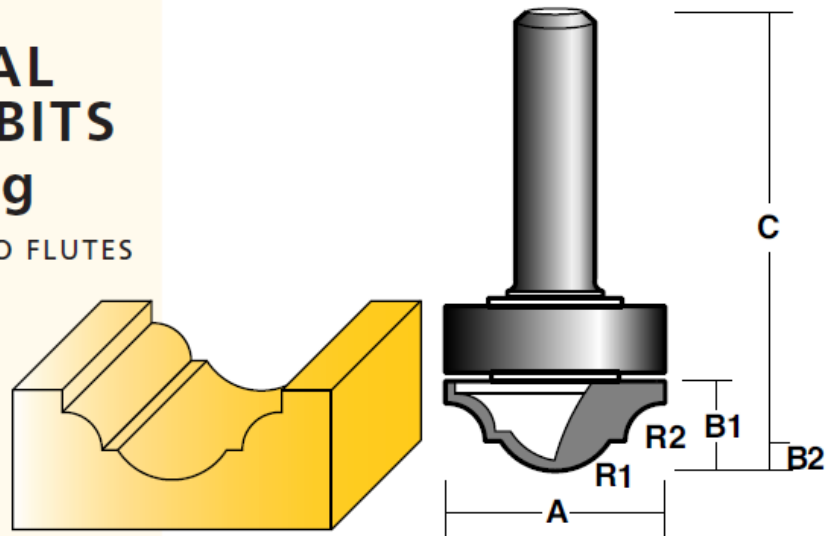


TRADITIONAL CLASSICAL BITS with bearing

CARBIDE TIPPED - TWO FLUTES



PART No.	A	B1	B2	C	R1	R2
	mm	mm	mm	mm	mm	mm
TTCR 4 B	22.0	12.7	4.8	54	5.5	4
TTCR 6 B 1/2	35.0	14.3	4.8	73.0	10.3	6.0

Replacement Bearings 1/4 "-TB12, 1/2" -TB21