

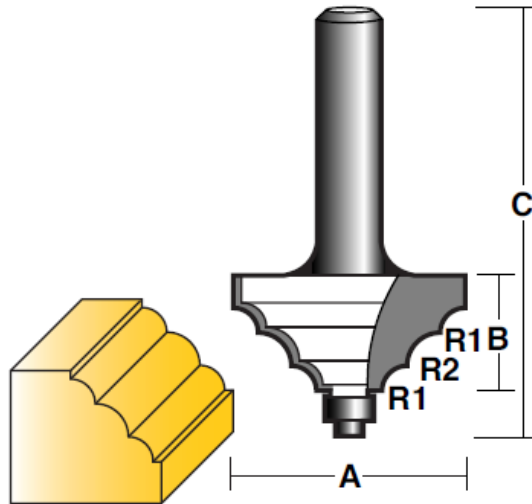
# TRIPLE BEADING BITS

A decorative edge bead.

CARBIDE TIPPED - TWO FLUTES  
WITH BALL BEARING GUIDE

**12.7 mm (1/2") SHANK**

Replacement Ball Bearing TB9.



PART No.	A		B		C		R1 RADIUS		R2 RADIUS	
	in.	mm	in.	mm	in.	mm	in.	mm	in.	mm
TT 606 B 1/2	1-3/4	44.4	7/8	22.2	3-1/4	82	3/16	4.8	1/4	6.35
TT 608 B 1/2	2-1/8	54	1-1/16	27	3-1/4	82	1/4	6.35	5/16	7.9