

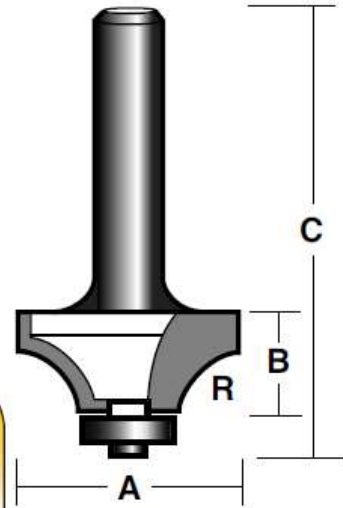
COUNTER TOP BIT

Used in conjunction with
TSS 2 and TSS 2 1/2

TWO FLUTES - WITH
CARBI-SMOOTH BEARING
ASSEMBLY & BALL BEARING
GUIDE

SUFFIX 1/2 = 1/2"

SHANK, OTHERWISE 1/4"



PART No.	A	B	C	R RADIUS
TSS 3 B	28.6	13.5	60	6.35
TSS 3 B 1/2	28.6	13.5	73	6.35

Replacement Bearing Assembly TBT20.