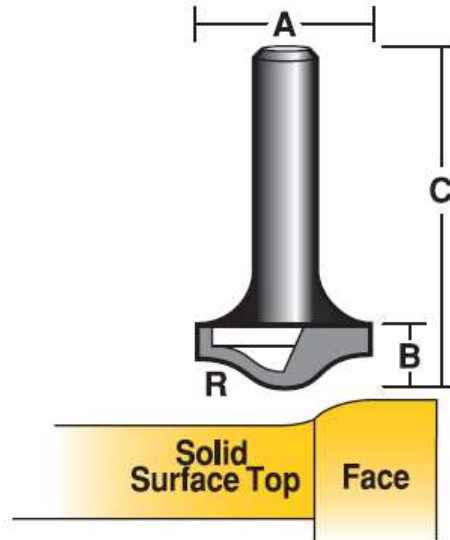


COUNTER TOP BIT

NO DRIP DESIGN - TWO FLUTES
SUFFIX 1/2 = 1/2" SHANK,
OTHERWISE 1/4"



PART No.	A	B	C	R RADIUS
TSS 2	19	9.3	41	6.35
TSS 2 1/2	19	9.3	54	6.35