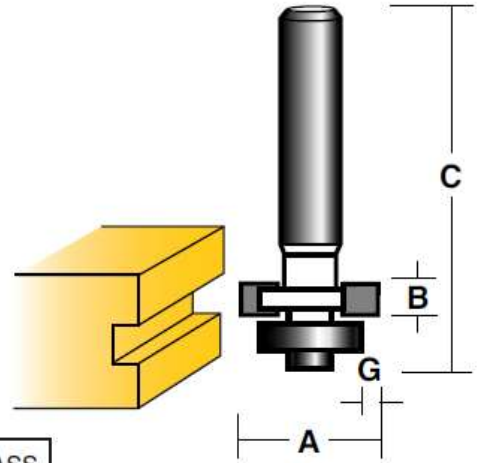


FACE INLAY BIT

1/4" WIDTH-1/2" WIDTH

CARBIDE TIPPED
TWO FLUTES - WITH
CARBI-SMOOTH BEARING
ASSEMBLY & BALL BEARING GUIDE
12.7 mm (1/2") SHANK



PART No.	A	B	C	G	BRG Ass
TSS 11 B 1/2	25.4	1/4"	66	1.6	TBT 22
TSS 21 B 1/2	25.4	1/4"	66	3.2	TBT 21
TSS 31 B 1/2	25.4	1/4"	66	4.8	TBT 20
TSS 12 B 1/2	25.4	1/2"	73	1.6	TBT 22
TSS 22 B 1/2	25.4	1/2"	73	3.2	TBT 21
TSS 32 B 1/2	25.4	1/2"	72	4.8	TBT 20