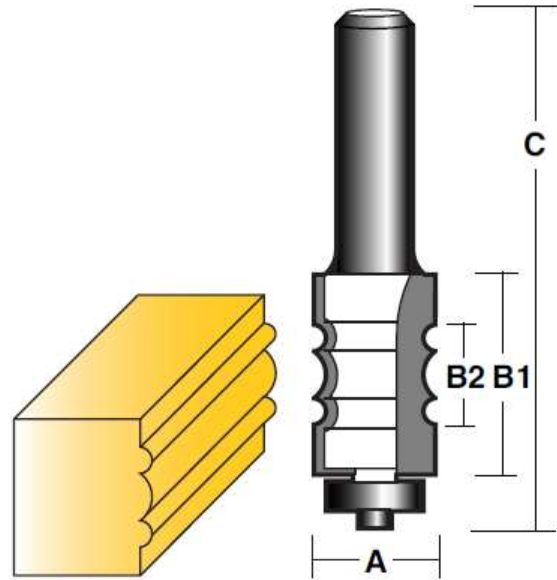


## SURFACE BEADING BIT

A decorative face mould to highlight the ends of protruding boards, such as mantle supports.

CARBIDE TIPPED - TWO FLUTE  
WITH BALL BEARING GUIDE  
**12.7mm (1/2") SHANK**



PART No.	A		B1		B2		C	
	in.	mm	in.	mm	in.	mm	in.	mm
TSB33 B 1/2	3/4	19	1-5/16	33	5/8	15.9	3-3/8	86

Replacement Ball Bearing TB8.