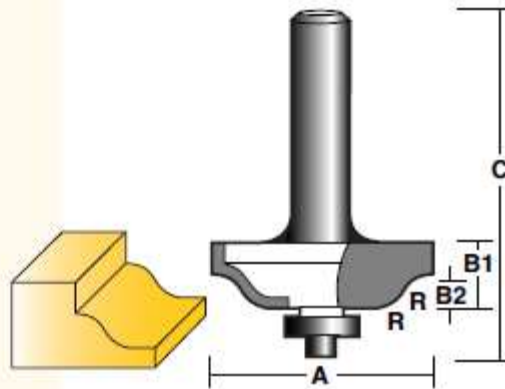


SHALLOW ROMAN OGEE BITS

This bit will produce
a decorative edge
moulding.

CARBIDE TIPPED -
TWO FLUTES
WITH BALL BEARING
GUIDE

SUFFIX 1/2 = 1/2" SHANK, OTHERWISE 1/4"



PART No.	A		B1		B2		C		R RADIUS
	in.	mm	in.	mm	in.	mm	in.	mm	mm
TS 5705 B	1-1/4	32	3/8	9.5	5/32	4	2	50.8	4
TS 5705 B 1/2	1-1/4	32	3/8	9.5	5/32	4	2-3/8	60	4
TS 5708 B 1/2	1-5/8	41	7/16	11.1	1/4	6.35	2-1/2	63.5	6.3
TS 5712 B 1/2	2	50.8	9/16	14.3	3/8	9.5	2-5/8	67	9.5

Replacement Ball Bearing TB11.