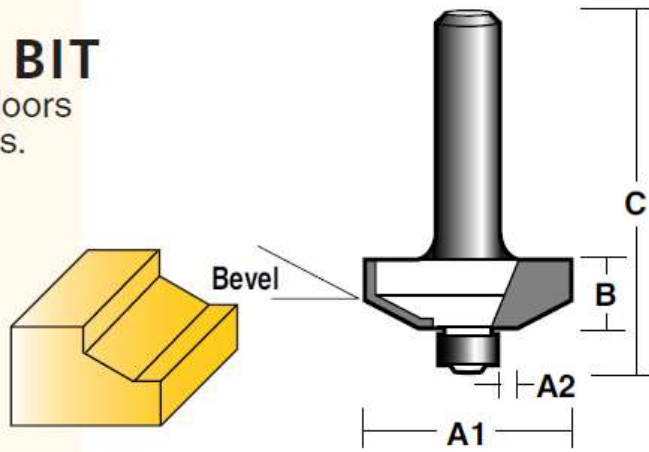


RAISED PANEL BIT

This bit is used for panel doors and other decorative edges.

CARBIDE TIPPED - TWO FLUTES WITH BALL BEARING GUIDE

12.7mm (1/2") SHANK



PART No.	A1		A2		B		C		BEVEL
	in.	mm	in.	mm	in.	mm	in.	mm	
TRP 40 B 1/2	1-5/8	40	1/8	3.2	1/2	12.7	2-5/8	67	25°

Replacement Ball Bearing TB11.