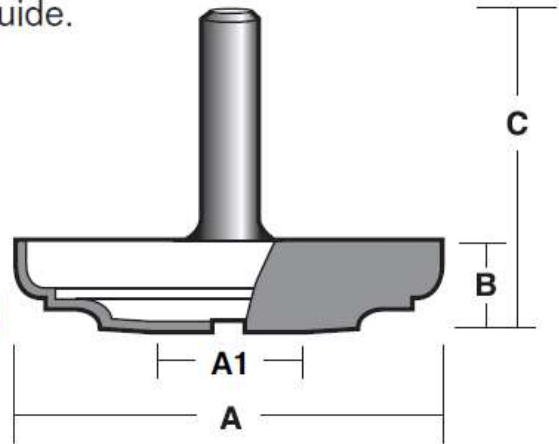
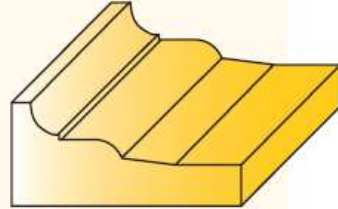


RAISED PANEL BITS

Also available with a ball bearing guide.

CARBIDE TIPPED -
TWO FLUTES

**12.7mm
(1/2") SHANK**



PART No.	A		A1	B		C	
	in.	mm	mm	in.	mm	in.	mm
TPD 6 1/2	3	76	17.5	5/8	15.9	2-3/4	70
TPD 6 1/2	3	76	17.5	5/8	15.9	3	76

Replacement Ball Bearing TB11.