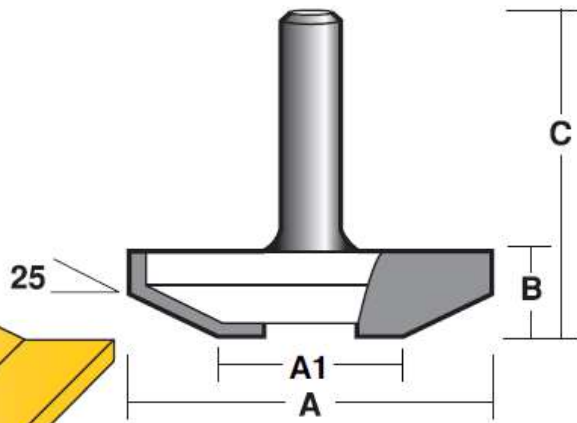
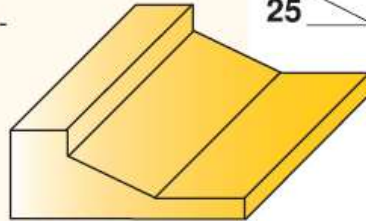


RAISED PANEL BITS

Also available with a ball bearing guide.

CARBIDE TIPPED -
TWO FLUTES

**12.7mm
(1/2")
SHANK**



PART No.	A		A1	B		C	
	in.	mm	mm	in.	mm	in.	mm
TPD 5 1/2	3	76.2	37.0	5/8	15.9	2-3/4	70
TPD 5 B 1/2	3	76.2	37.0	5/8	15.9	2-3/4	70

Replacement Ball Bearing TB11.