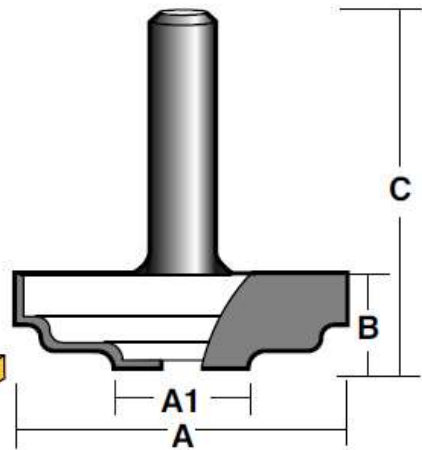
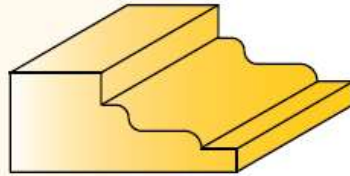


RAISED PANEL BITS

Also available with a ball bearing guide.

CARBIDE TIPPED -
TWO FLUTES

**12.7mm (1/2")
SHANK**



PART No.	A		A1	B		C	
	in.	mm	mm	in.	mm	in.	mm
TPD 4 1/2	2.3/8	60.3	24.4	11/16	17.3	2-5/8	66.8
TPD 4 B 1/2	2.3/8	60.3	24.4	11/16	17.3	-	72.1

Replacement Ball Bearing TB11.