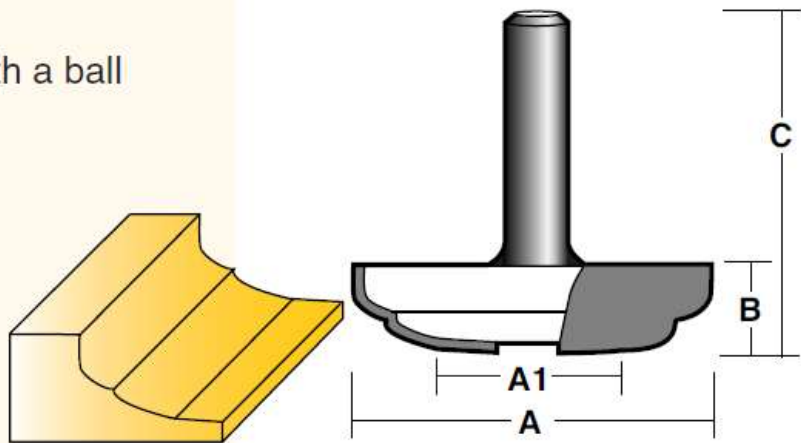


RAISED PANEL BITS

Also available with a ball bearing guide.

CARBIDE
TIPPED -
TWO FLUTES

**12.7mm
(1/2")
SHANK**



	A		A1	B		C	
	in.	mm	mm	in.	mm	in.	mm
TPD 3 1/2	2.83	72	25.4	3/4	19.0	2-3/4	70
TPD 3 B 1/2	2.83	72	25.4	3/4	19.0	3	76

Replacement Ball Bearing TB11.