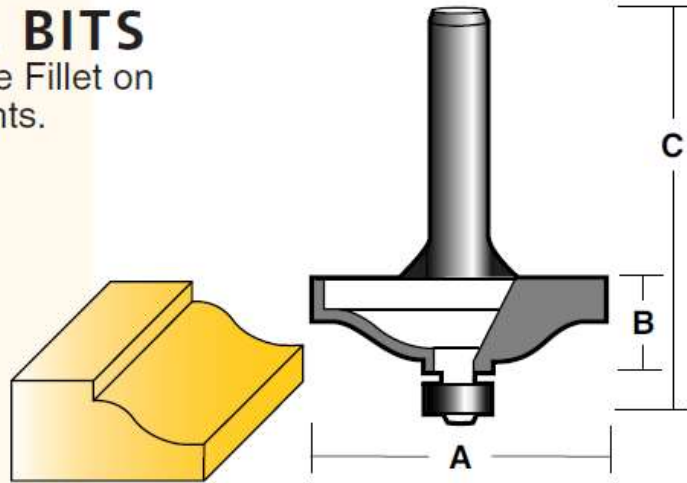


RAISED PANEL BITS

This bit produces an Ogee Fillet on panel doors and draw fronts.

CARBIDE TIPPED - TWO FLUTES

12.7mm 1/2"
SHANK



PART No.	A		B		C		BEARING No.
	in.	mm	in.	mm	in.	mm	
TOG 57 B 1/2	2-1/4	57	41/64	16.3	3	76	TB11
TOG 67 B 1/2	2-1/4	57	41/64	16.3	3	76	TB9

Also available without Ball Bearing

TOG 57 1/2	2-1/4	57	41/64	16.3	2-3/4	70	NO BEARING
------------	-------	----	-------	------	-------	----	------------