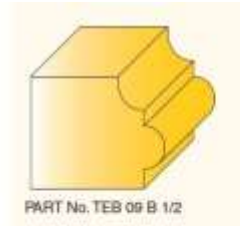
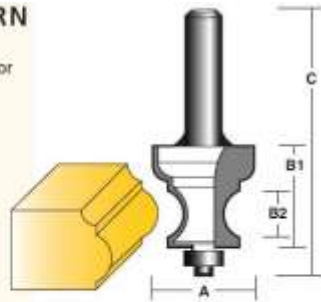


PALACE PATTERN BITS

An attractive edge mould for table and bench tops.

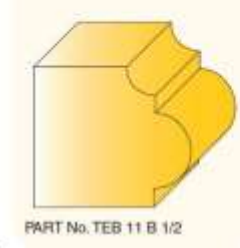
CARBIDE TIPPED - TWO FLUTE WITH BALL BEARING GUIDE
12.7 mm (1/2") SHANK



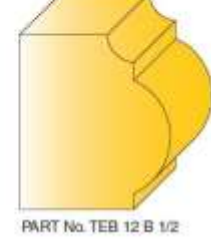
PART No. TEB 09 B 1/2



PART No. TEB 10 B 1/2



PART No. TEB 11 B 1/2



PART No. TEB 12 B 1/2

PART No.	A		B1		B2		C	
	in.	mm	in.	mm	in.	mm	in.	mm
TEB 09 B 1/2	1-1/4	31.8	1	25.4	9/32	7.1	3-1/8	79
TEB 10 B 1/2	1-1/4	31.8	1	25.4	3/8	9.5	3-1/8	79
TEB 11 B 1/2	1-5/16	33	1-9/32	32.5	0.590	15	3/8	86
TEB 12 B 1/2	1-9/32	32.5	1-9/32	32.5	3/4	19	3-1/4	82

Replacement Ball Bearing TB11.