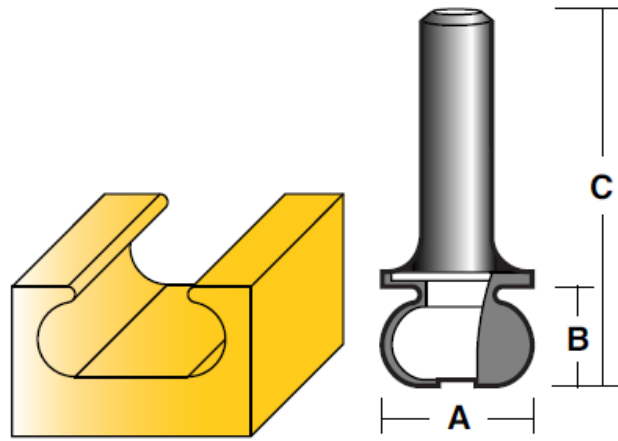


These bits produce a recessed handle on drawers or cupboard doors that is both decorative and functional.

CARBIDE TIPPED - TWO FLUTES  
**SUFFIX 1/2 = 1/2" SHANK,**  
**OTHERWISE 1/4"**



PART No.	A		B		C	
	in.	mm	in.	mm	in.	mm
TDP 20	1	25.4	.609	15.5	2	50.8
TDP 20 1/2	1	25.4	.609	15.5	2-3/8	60
TDP 35 1/2	1-1/4	31.8	.760	19.3	2-3/4	70