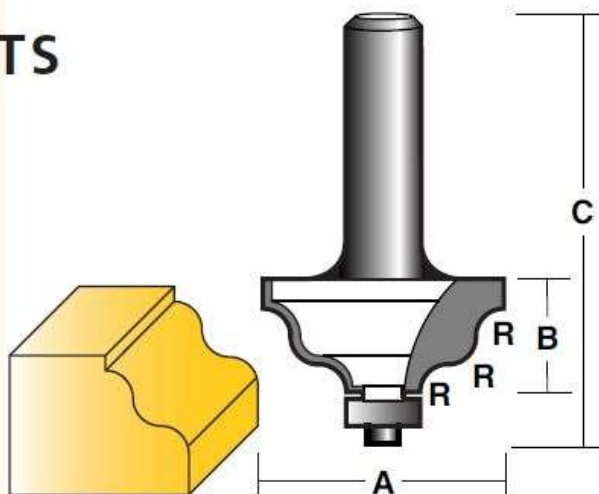


# DOUBLE OGEE BITS

CARBIDE TIPPED - TWO FLUTE  
WITH BALL BEARING GUIDE  
**SUFFIX 1/2 = 1/2" SHANK,**  
**OTHERWISE 1/4"**



PART No.	A		B		C		R RADIUS	
	in.	mm	in.	mm	in.	mm	in.	mm
TDO 8 B	1-1/4	31.8	.575	14.6	2-3/16	55	1/8	3.2
TDO 8 B 1/2	1-1/4	31.8	.575	14.6	2-5/8	67	1/8	3.2
TDO 12 B 1/2	1-5/8	41	.763	19.4	2-3/4	70	3/16	4.8
TDO 16 B 1/2	2	50.8	.950	24.1	3	76	1/4	6.35

Replacement Ball Bearing TB11