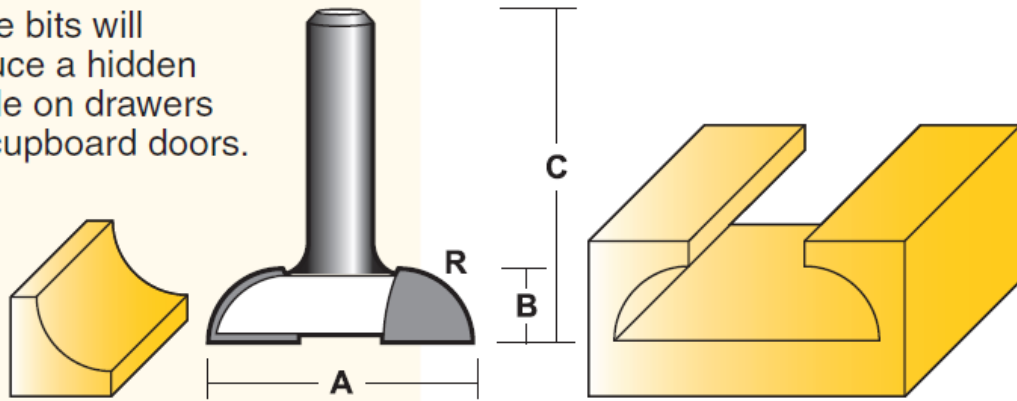


DRAWER PULL BITS

These bits will produce a hidden handle on drawers and cupboard doors.



CARBIDE TIPPED - TWO FLUTES
12.7mm (1/2") SHANK

PART No.	A		B		C		R RADIUS	
	in.	mm	in.	mm	in.	mm	in.	mm
TDC 16 1/2	1-3/4	44.4	1/2	12.7	2-1/2	63.5	1/2	12.7
TDC 20 1/2	2	50.8	9/16	14.3	2-9/16	65	9/16	14.3
TDC 24 1/2	2-1/4	57.1	3/4	19	2-5/8	67	3/4	19