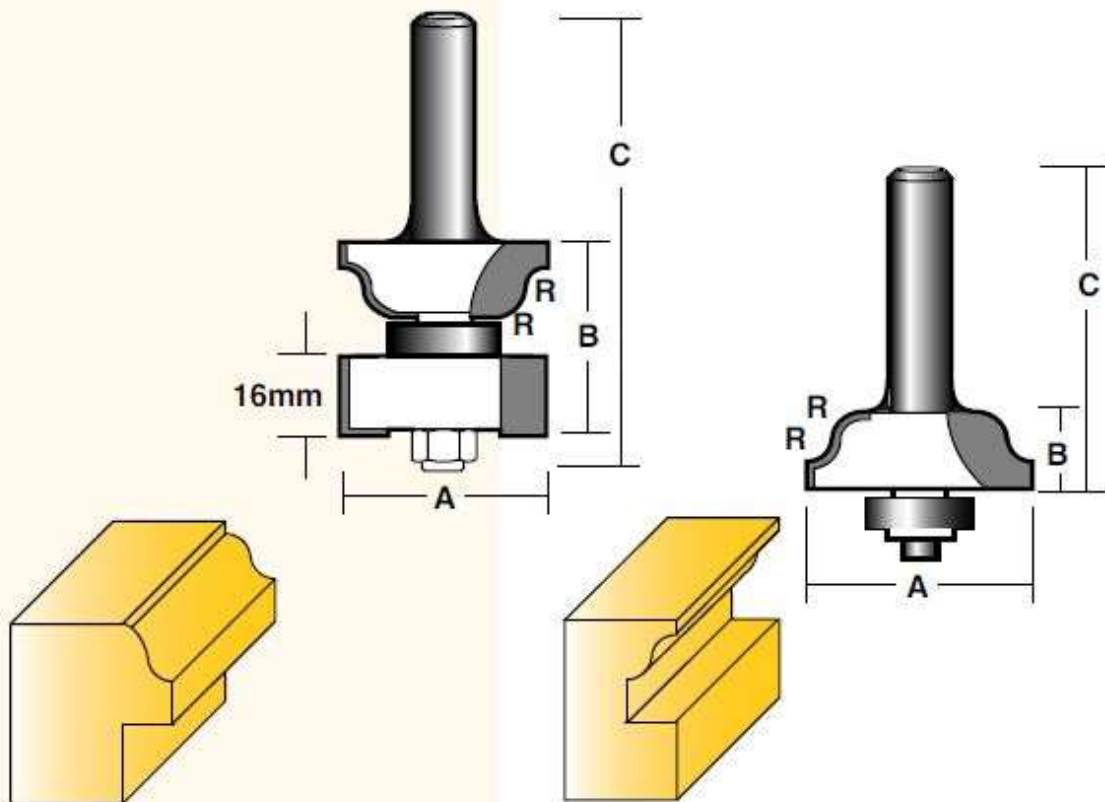


WINDOW SASH & RAIL BITS

These two bits work together to produce a complete divided light sash. The TCW 2B 1/2 is used to cope the rails, sash bars, and muntins. The TCW 1B 1/2 cuts the profile on all components.

Application:

Cuts all composition materials, plywood, hard wood, and soft wood. Use on table mounted portable routers.



12.7mm (1/2") SHANK

PART No.	A		B		C		R RADIUS		
	in.	mm	in.	mm	in.	mm	in.	mm	
TCW 1B 1/2	1.654	42	1-1/2	38.1	3.55	90.1	.200	5.08	
TCW 2B 1/2	1.654	42	.609	15.5	2.77	70.5	.200	5.08	
TCW 3	1.654	42	Cutter only						

Replacement Ball Bearing TB12