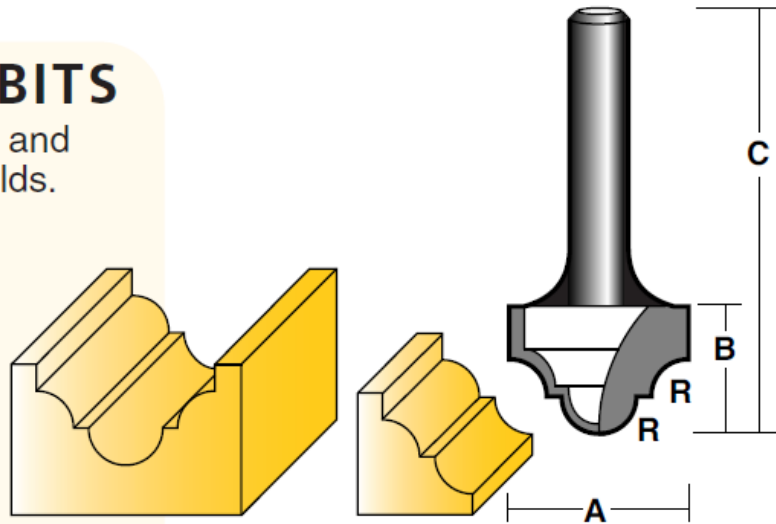


CLASSICAL BITS

Used for panel doors and decorative edge moulds.

CARBIDE TIPPED -
TWO FLUTES
SUFFIX 1/2 = 1/2"
SHANK,
OTHERWISE 1/4"



PART No.	A		B		C		R RADIUS	
	in.	mm	in.	mm	in.	mm	in.	mm
TC 6	1/2	12.7	1/2	12.7	1-3/4	44.4	3/32	2.4
TC 6 1/2	1/2	12.7	1/2	12.7	2-1/2	63.5	3/32	2.4
TC 10	.760	19.2	9/16	14.3	1-3/4	44.4	5/32	4
TC 10 1/2	.760	19.2	9/16	14.3	2-5/16	58.6	5/32	4
TC 12 1/2	57/64	22.6	5/8	15.9	2-1/2	63.5	3/16	4.8
TC 16 1/2	1-5/32	29.2	3/4	19	2-1/2	63.5	1/4	6.35