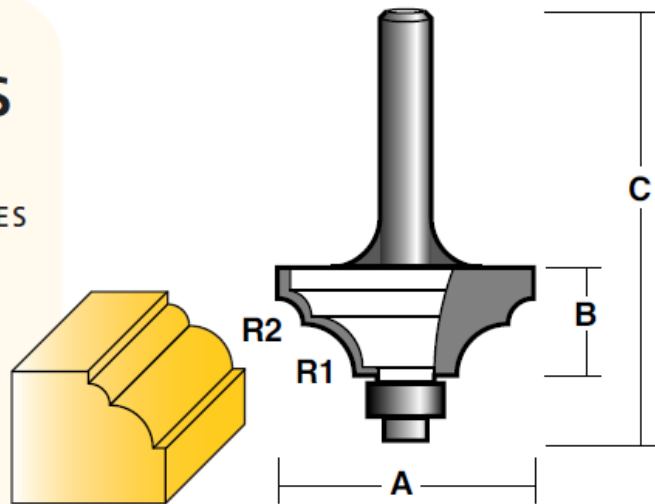


DOUBLE BEADING BITS

A decorative edge bead.

CARBIDE TIPPED - TWO FLUTES WITH BALL BEARING GUIDE

SUFFIX 1/2 = 1/2" SHANK,
OTHERWISE 1/4"



PART No.	A		B		C		R1 RADIUS		R2 RADIUS	
	in.	mm	in.	mm	in.	mm	in.	mm	in.	mm
TBR 608 B	1-1/4	31.8	17/32	13.3	2	50.8	1/4	6.4	1/8	3.2
TBR 608 B 1/2	1-1/4	31.8	17/32	13.3	2-1/2	63.5	1/4	6.4	1/8	3.2
TBR 616 B 1/2	2	50.8	29/32	22.9	3-1/8	79.4	1/2	12.7	1/4	6.35

Replacement Ball Bearing TB9.