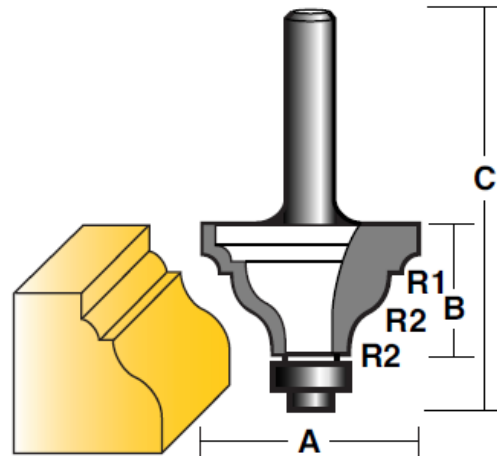


BEADING OGEE BITS

Produces a decorative edge moulding.

CARBIDE TIPPED - TWO FLUTE
WITH BALL BEARING GUIDE

**SUFFIX 1/2 = 1/2" SHANK,
OTHERWISE 1/4"**



PART No.	A		B		C		R1 RADIUS		R2 RADIUS	
	in.	mm	in.	mm	in.	mm	in.	mm	in.	mm
TBO 30 B	1-1/8	28.6	21/32	16.5	2-1/4	57.1	7/64	2.75	1/4	6.35
TBO 30 B 1/2	1-1/8	28.6	21/32	16.5	2-5/8	67	7/64	2.75	1/4	6.35
TBO 35 B	1-3/8	35	7/8	22.2	2-1/2	63.5	-	3.15	5/16	8
TBO 35 B 1/2	1-3/8	35	7/8	22.2	3	76	-	3.15	5/16	8
TBO 50 B 1/2	1-7/8	47	1-5/16	33	3-3/8	86	3/16	4.75	1/2	12.7

Replacement Ball Bearing TB11.