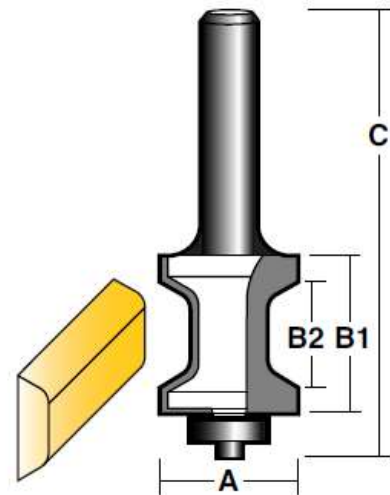


BATTEN MOULD BIT

A bit to enable production of batten moulding for the fixing of cement sheeting and other types of wall panelling.

CARBIDE TIPPED - TWO FLUTES
WITH BALL BEARING GUIDE

12.7 mm (1/2") SHANK



PART No.	A		B1		B2		C	
	in.	mm	in.	mm	in.	mm	in.	mm
TBM 33 B 1/2	1-1/8	28.6	1.3	33	7/8	22.2	3-5/8	92

Replacement Ball Bearing TB8.