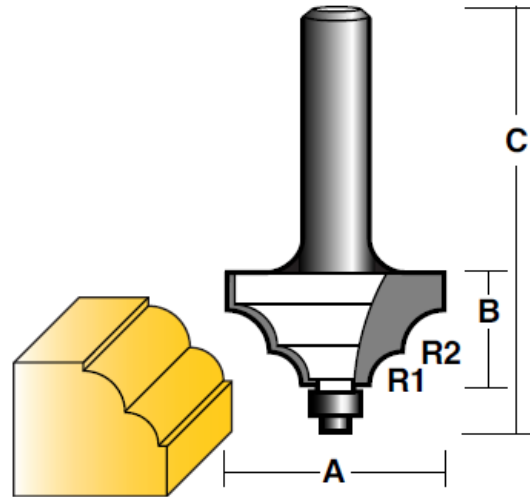


DOUBLE BEADING BITS

A decorative edge bead.

CARBIDE TIPPED - TWO FLUTES WITH BALL BEARING GUIDE

SUFFIX 1/2 = 1/2" SHANK,
OTHERWISE 1/4"



PART No.	A		B		C		R1 RADIUS		R2 RADIUS	
	in.	mm	in.	mm	in.	mm	in.	mm	in.	mm
TB 606 B	1-3/8	35	11/16	17.4	2-1/4	57.1	3/16	4.8	1/4	6.35
TB 606 B 1/2	1-3/8	35	11/16	17.4	2-3/4	70	3/16	4.8	1/4	6.35
TB 608 B 1/2	1-5/8	41	7/8	22.2	3-1/8	79	1/4	6.35	5/16	7.9

Replacement Ball Bearing TB9.