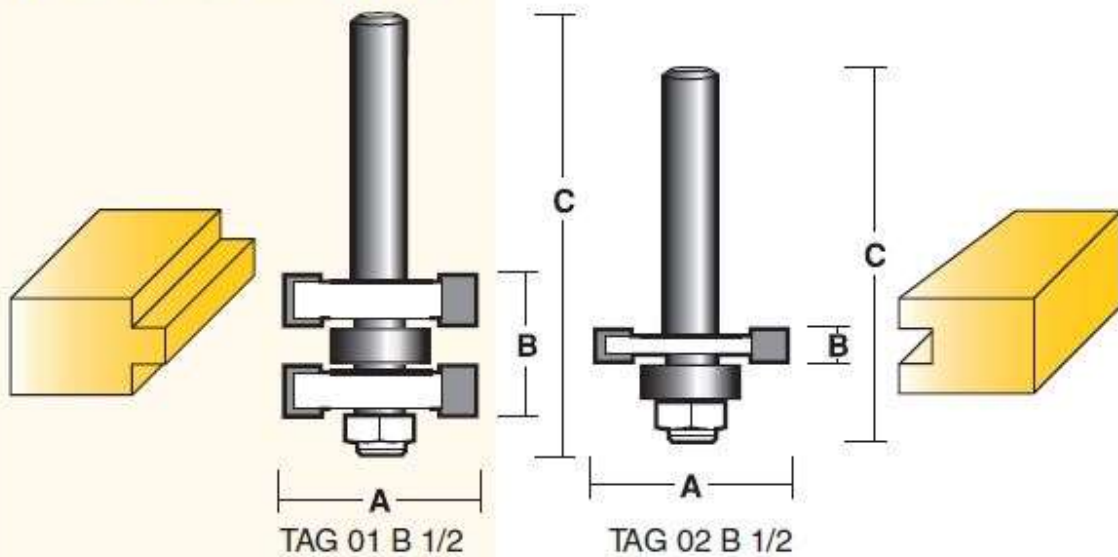


TONGUE AND GROOVE BITS for floor boards



CARBIDE TIPPED - TWO FLUTES

PART No.	A		B		C	
	in.	mm	in.	mm	in.	mm
TAG 01 B 1/2	-	32.4	1 3/64	26.7	-	82.5
TAG 02 B 1/2	1 5/16	33.4	17/64	6.7	-	63.7
TAGC 01	CUTTER ONLY – TAG 01 B 1/2					
TAGC 02	CUTTER ONLY – TAG 02 B 1/2					

Replacement Ball Bearing TB19

Replacement Arbor TA14 (TAG 01 B 1/2)

Replacement Arbor TA5 (TAG 02 B 1/2)