

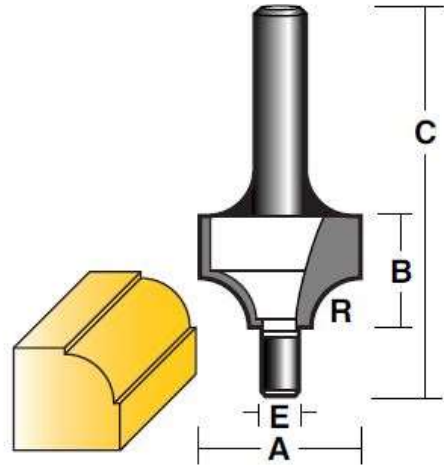
BEADING BITS

A decorative edge bit with pilot for early American furniture making.

E = 4.8mm (3/16")

TWO FLUTE - WITH PILOT

6.35 mm (1/4") SHANK



| PART No. | A | | B | | C | | R RADIUS | |
|----------|-----|----|-----|----|-----|----|----------|----|
| | in. | mm | in. | mm | in. | mm | in. | mm |

HIGH SPEED STEEL

| | | | | | | | | |
|-------|-----|----|-----|------|-------|------|-----|------|
| H 604 | 3/4 | 19 | 3/8 | 9.5 | 1-7/8 | 47 | 1/8 | 3.2 |
| H 608 | 3/4 | 19 | 1/2 | 12.7 | 1-7/8 | 47 | 1/4 | 6.35 |
| H 612 | 1 | 25 | 5/8 | 15.9 | 2 | 50.8 | 3/8 | 9.5 |

CARBIDE TIPPED

| | | | | | | | | |
|-------|--------|------|------|------|-------|------|-----|------|
| T 604 | 9/16 | 14.3 | 1/2 | 12.7 | 1-5/8 | 41 | 1/8 | 3.2 |
| T 608 | 13/16 | 20.6 | 9/16 | 14.2 | 1-5/8 | 41 | 1/4 | 6.35 |
| T 612 | 1-1/16 | 27 | 5/8 | 15.9 | 2 | 50.8 | 3/8 | 9.5 |