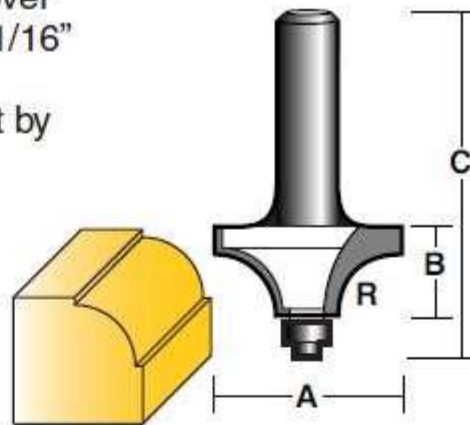


This bit is the same as the rounding over bit but has a smaller bearing leaving 1/16" edge bead.

Can be converted to rounding over bit by using bearing TB11.

CARBIDE TIPPED - TWO FLUTES WITH BALL BEARING GUIDE
SUFFIX 1/2 = 1/2" SHANK, OTHERWISE 1/4"



PART No.	A		B		C		R RADIUS	
	in.	mm	in.	mm	in.	mm	in.	mm
T 602 B	5/8	15.9	5/16	7.9	1-7/8	47	1/16	1.6
T 602 MB	21/32	16.7	11/32	8.7	1-7/8	47	5/64	2
T 604 B	3/4	19	1/2	12.7	2	50.8	1/8	3.2
T 604 MB	13/16	20.6	7/16	11.1	2	50.8	-	4
T 606 B	7/8	22.2	15/32	12	2	50.8	3/16	4.8
T 606 B 1/2	7/8	22.2	15/32	12	2-1/2	63.5	3/16	4.8
T 605 MB	7/8	22.5	15/32	12	2	50.8	-	5
T 606 MB	31/32	24.7	33/64	13	2-3/32	53.2	15/64	6
T 608 B	1	25.4	1/2	12.7	2	50.8	1/4	6.35
T 608 B 1/2	1	25.4	1/2	12.7	2-1/2	63.5	1/4	6.35
T 610 B	1-1/8	28.6	1/2	12.7	2	50.8	5/16	7.9
T 610 B 1/2	1-1/8	28.6	1/2	12.7	2-5/8	67	5/16	7.9
T 612 B	1-1/4	31.8	5/8	15.9	2-1/4	57.1	3/8	9.5
T 612 B 1/2	1-1/4	31.8	5/8	15.9	2-5/8	67	3/8	9.5
T 610 MB 1/2	1-9/32	32.7	21/32	16.5	2-3/4	69.7	25/64	10
T 612 MB 1/2	1-7/16	36.7	45/64	18	2-51/64	71.2	15/32	12
T 616 B	1-1/2	38.1	3/4	19	2-1/4	57.1	1/2	12.7
T 616 B 1/2	1-1/2	38.1	3/4	19	2-3/4	70	1/2	12.7
T 620 B 1/2	1-3/4	44.5	7/8	22.2	3-1/4	82	5/8	15.9
T 624 B 1/2	2	50.8	1	25.4	3-1/4	82	3/4	19
T 628 B 1/2	2-1/4	57.1	1-5/64	27.4	3-1/2	89	7/8	22.2
T 632 B 1/2	2-1/2	63.5	1-1/4	31.8	3-5/8	92	1	25.4
T 640 B 1/2	3	76.2	1-15/32	37.3	3-3/4	95	1-1/4	31.8

Replacement Ball Bearing TB9