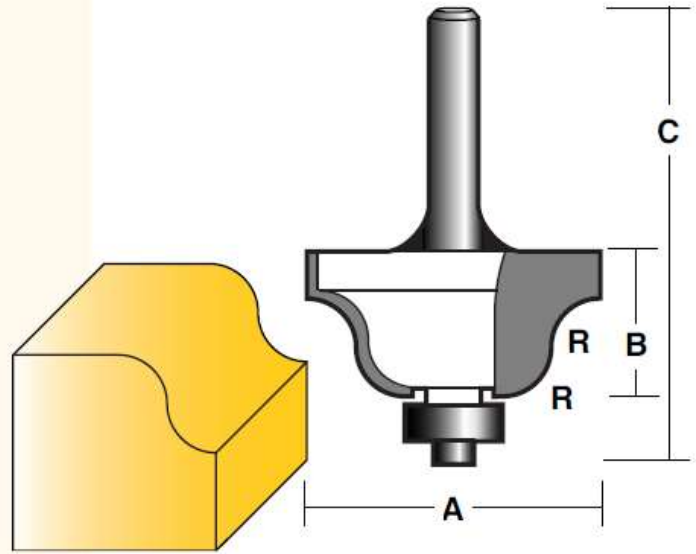


CARBIDE TIPPED -  
TWO FLUTES  
WITH BALL BEARING  
GUIDE

**SUFFIX 1/2 = 1/2"**  
**SHANK,**  
**OTHERWISE 1/4"**



PART No.	A		B		C		R RADIUS	
	in.	mm	in.	mm	in.	mm	in.	mm
T 5705 B	1-1/8	28.6	1/2	12.7	2	50.8	5/32	4
T 5705 B 1/2	1-1/8	28.6	1/2	12.7	2-5/8	67	5/32	4