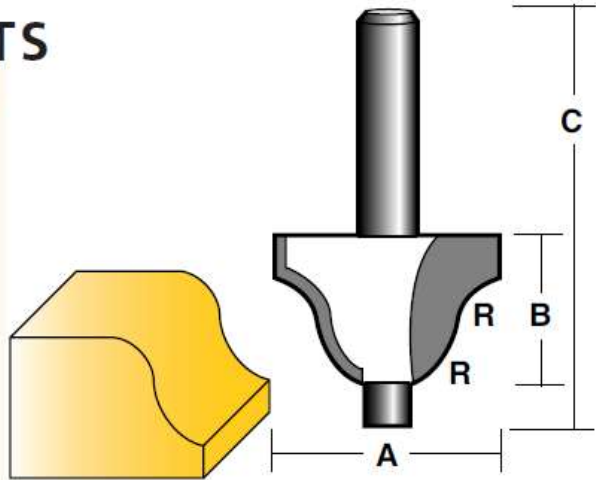


ROMAN OGEE BITS

A decorative edge bit for early American furniture making.

TWO FLUTE - WITH PILOT
6.35 mm (1/4")
SHANK



PART No.	A		B		C		R RADIUS	
	in.	mm	in.	mm	in.	mm	in.	mm
HIGH SPEED STEEL								
H 5705	3/4	19	1/2	12.7	1-7/8	47	5/32	4
H 5708	1-1/4	31.8	3/4	19	2	50.8	1/4	6.35
CARBIDE TIPPED								
T 5705	3/4	19	1/2	12.7	1-7/8	47	5/32	4
T 5708	1-1/4	31.8	3/4	19	2	50.8	1/4	6.35