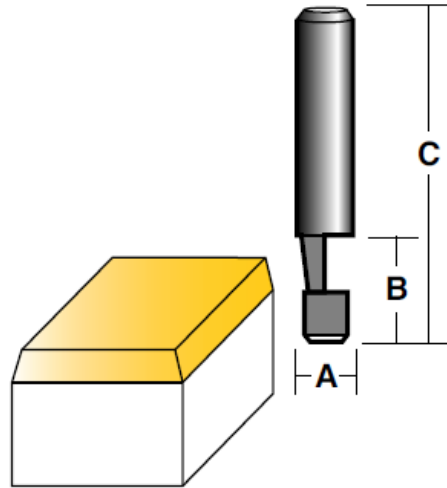


## 7° BEVEL TRIMMING BIT

Provides 7° bevel to trim the edge of plastic laminated surfaces. Built-in pilot eliminates guide assembly.

SOLID CARBIDE - SINGLE FLUTE WITH PILOT

**6.35 mm (1/4") SHANK**



PART No.	A		B		C	
	in.	mm	in.	mm	in.	mm
T 403-501	3/16	4.8	1/2	12.7	1-1/2	38.1