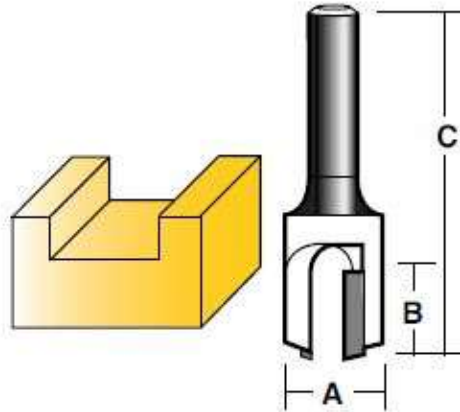


HINGE MORTISE BITS

Can be used as a fast cutting stair tread bit or making mortises from edge of work.



TWO FLUTE 6.35 mm (1/4") SHANK

PART No.	A		B		C	
	in.	mm	in.	mm	mm	

HIGH SPEED STEEL

H 2016	1/2	12.7	13/32	10.3	50	
--------	-----	------	-------	------	----	--

CARBIDE TIPPED

T 2016	1/2	12.7	13/32	10.3	42	
--------	-----	------	-------	------	----	--

12.7 mm (1/2") SHANK

PART No.	A		B		C	
	in.	mm	in.	mm	in.	mm

CARBIDE TIPPED

T 1622 1/2	11/16	17.5	3/4	19	2-1/2	63.5
T 1624 1/2	3/4	19	3/4	19	2-1/2	63.5
T 1626 1/2	13/16	20.6	3/4	19	2-1/2	63.5
T 1628 1/2	7/8	22.2	3/4	19	2-1/2	63.5