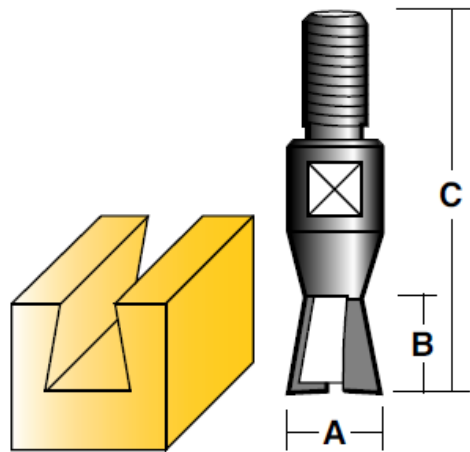


# BROOKMAN DOVETAIL BIT

A bit specially designed to be used in the Brookman dovetailing machine.

CARBIDE TIPPED - TWO FLUTES  
**3/8" B.S.F.**  
**EXTERNAL THREAD**



PART No.	A		B		C		Bevel
	in.	mm	in.	mm	in.	mm	
T 100	.520	13.2	9/16	14.3	2-1/4	57.1	10°