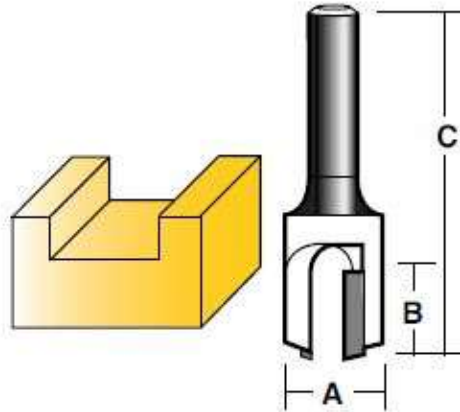


HINGE MORTISE BITS

Can be used as a fast cutting stair tread bit or making mortises from edge of work.



TWO FLUTE 6.35 mm (1/4") SHANK

| PART No. | A | | B | | C | |
|----------|-----|----|-----|----|----|--|
| | in. | mm | in. | mm | mm | |

HIGH SPEED STEEL

| | | | | | | |
|--------|-----|------|-------|------|----|--|
| H 2016 | 1/2 | 12.7 | 13/32 | 10.3 | 50 | |
|--------|-----|------|-------|------|----|--|

CARBIDE TIPPED

| | | | | | | |
|--------|-----|------|-------|------|----|--|
| T 2016 | 1/2 | 12.7 | 13/32 | 10.3 | 42 | |
|--------|-----|------|-------|------|----|--|

12.7 mm (1/2") SHANK

| PART No. | A | | B | | C | |
|----------|-----|----|-----|----|-----|----|
| | in. | mm | in. | mm | in. | mm |

CARBIDE TIPPED

| | | | | | | |
|------------|-------|------|-----|----|-------|------|
| T 1622 1/2 | 11/16 | 17.5 | 3/4 | 19 | 2-1/2 | 63.5 |
| T 1624 1/2 | 3/4 | 19 | 3/4 | 19 | 2-1/2 | 63.5 |
| T 1626 1/2 | 13/16 | 20.6 | 3/4 | 19 | 2-1/2 | 63.5 |
| T 1628 1/2 | 7/8 | 22.2 | 3/4 | 19 | 2-1/2 | 63.5 |